



LacasseOfficeFurniture.com 201-254-0145

Groupe Lacasse Half Price Sale On Now

Take Half Off the List Prices in this PDF

Call 201-254-0145 Now

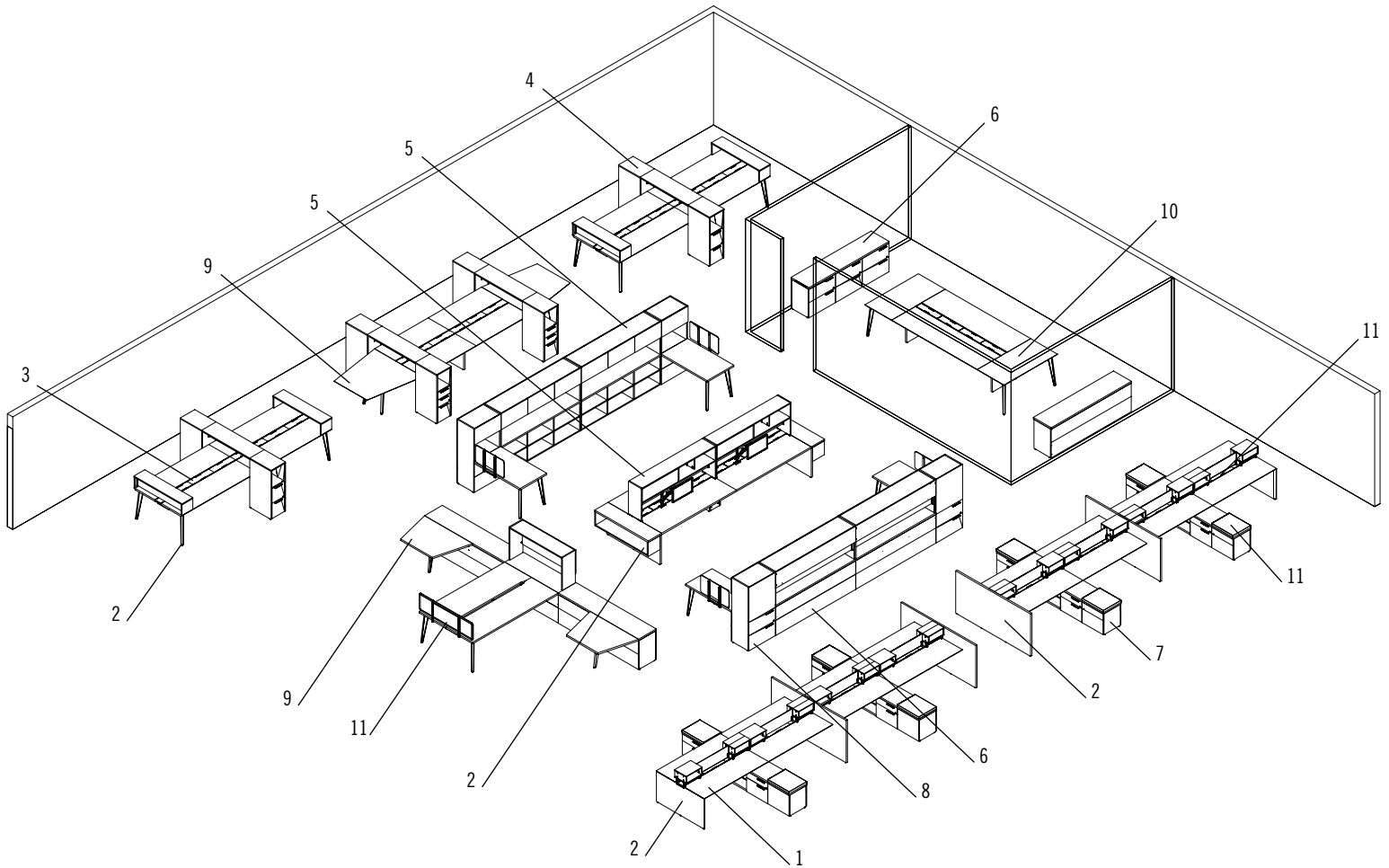
Free Layout & Design Service

C.I.T.E. Series



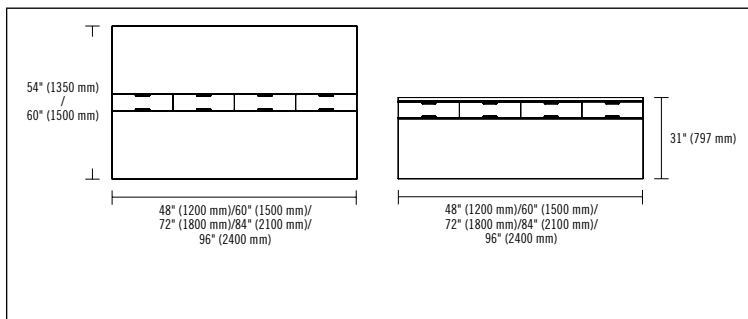
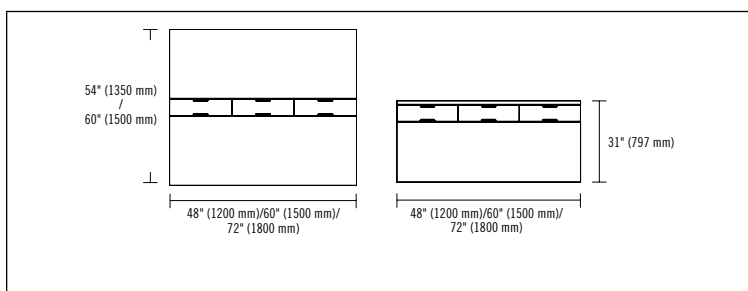
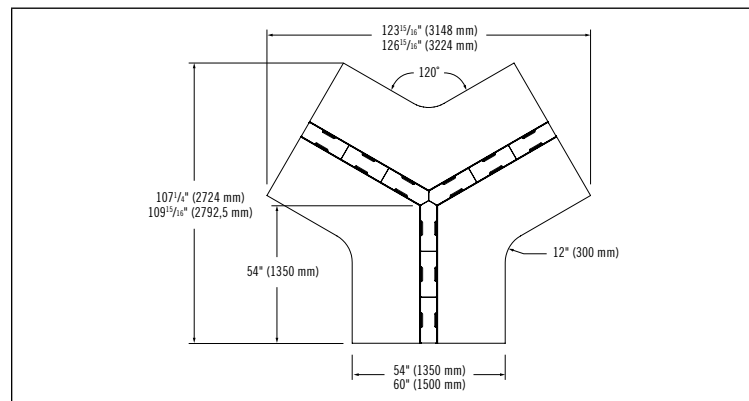
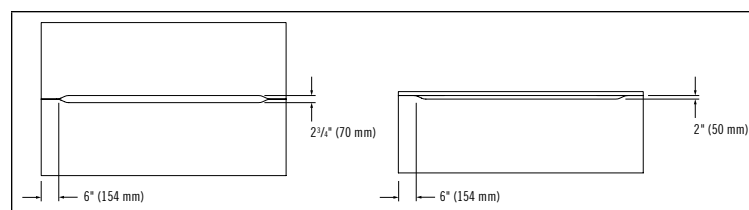
TABLE OF CONTENTS

SURFACES: / SINGLE-SIDED, DOUBLE-SIDED, 120° / WITH OR WITHOUT RACEWAY	3	ELECTRICITY	9
STORAGE MODULES: / HUTCHES / BOOKCASES / RAILS	6	EDGEBOARDING	11
BASES: / LATERAL / CENTER	7	C.I.T.É. FURNITURE SYSTEM	12
STORAGE BASE MODULES: / LATERAL / CENTER	8	SUGGESTIONS	29
ACCESSORIES: / PRIVACY, LATERAL AND SPACE END SCREENS / CUSHIONS	9		

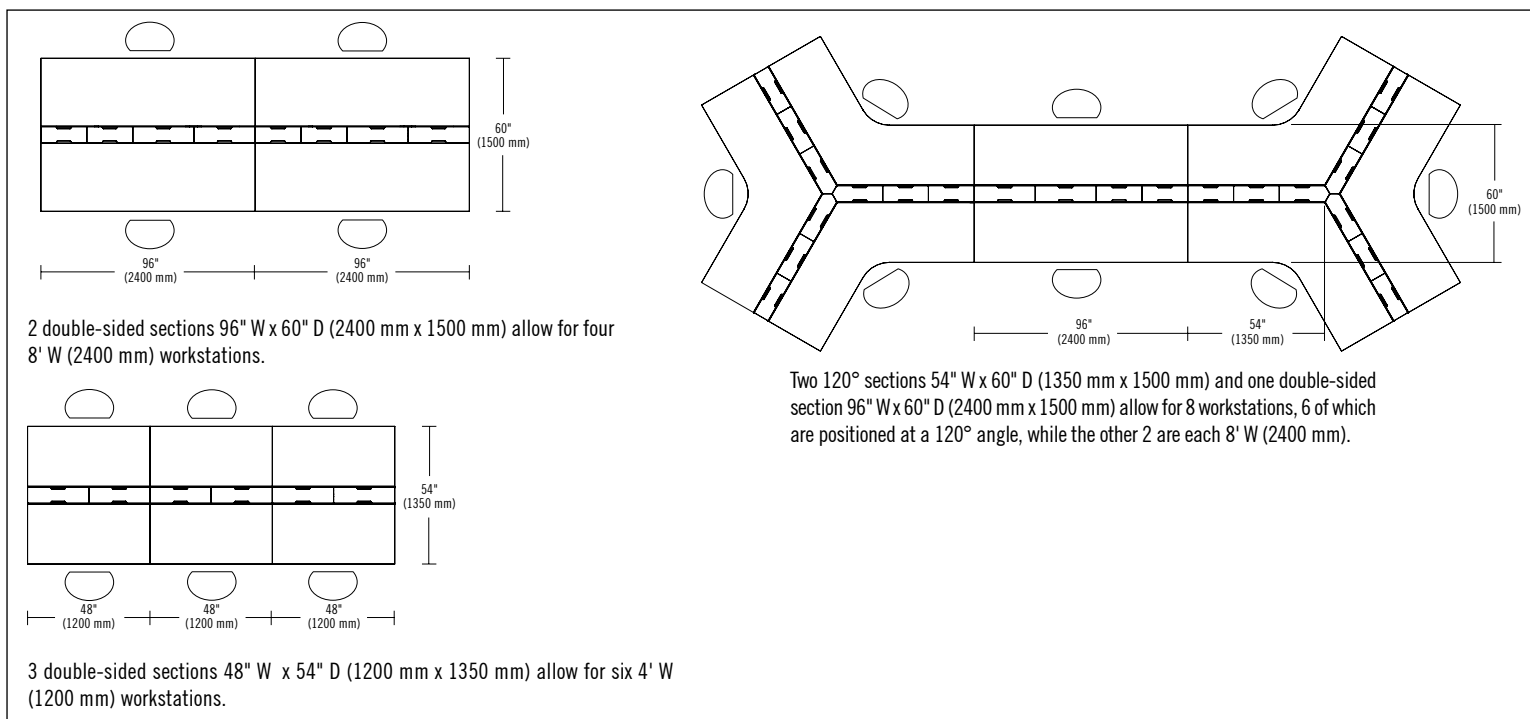


C.I.T.É. is an office furniture system designed to facilitate collaboration and interaction between users in a teamwork environment. The system offers tremendous flexibility in creating open-plan workstations while also meeting the privacy needs of individual users.

1. 1½"-thick (38 mm) surface with smooth edgebanding or knife-edge, and 1"-thick (25 mm) surface with smooth edgebanding.
2. Bases available in metal, laminate, laminate with acrylic insert and, in certain models, integrated storage modules.
3. Wire management raceways with translucent acrylic (T) covers.
4. Storage base modules can support surfaces and serve as divider panels to ensure privacy between users.
5. Hutches are available in 3 different versions, respectively compatible with single-sided surfaces, double-sided surfaces, and 29"-tall (757 mm) storage modules.
6. Storage modules 29" (757 mm) tall, for individual or shared use, offered in several combinations of utility drawers, filing drawers and open compartments.
7. Storage modules 21" (561 mm) tall, for individual or shared use, offered in several combinations of utility drawers, filing drawers and open compartments.
8. Return surfaces and return surfaces combined with storage modules are compatible with mobile pedestals, modesty panels and end screens.
9. Trapezoidal extension surfaces, compatible with double-sided surfaces and storage bases, enable the creation of collaborative work spaces.
10. Rectangular extension surfaces, compatible with double-sided surfaces, enable the creation of workstations or collaborative work spaces.
11. A range of accessories, such as end screens, divider panels, storage modules, accessory rails, surface electrical modules and cushions for 21"-tall (561 mm) storage modules.

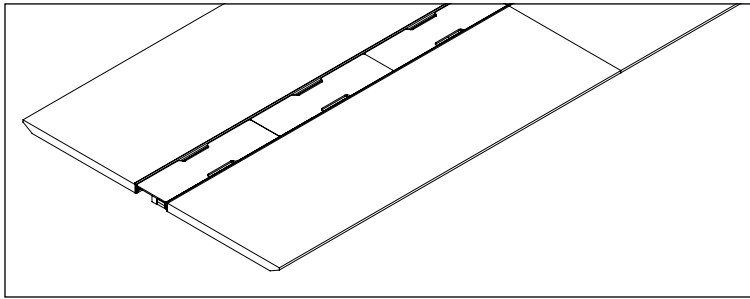
SURFACES: / SINGLE-SIDED - DOUBLE-SIDED - 120°, EXTENSION SURFACES AND RETURN SURFACES
SINGLE-SIDED, DOUBLE-SIDED, 120°, WITH OR WITHOUT RACEWAY
Rectangular surfaces, 1 1/2" (38 mm)

Rectangular surfaces, 1" (25 mm)

120° surfaces, 1 1/2" or 1" (38 mm or 25 mm)

Surfaces without raceway, 1 1/2" or 1" (38 mm or 25 mm)

SINGLE-SIDED, DOUBLE-SIDED OR 120° SURFACES, WITH OR WITHOUT RACEWAY

- Wire management raceways come with acrylic covers.
- Surface usages: For double-sided surfaces, it is allowed to join 2 sections (16' max.) together when the center base is LBD1212 and up to 3 sections (24' max.) if the center base is LCD2828. There are no restrictions on length or number of sections when other center bases are used. For single surfaces, it is allowed to join 2 sections (16' max.) together.
- Surfaces that include a wire management raceway are equipped with communication plates: 2 for double-sided surfaces, 1 for single-sided surfaces, and 3 for 120° surfaces.
- Surfaces without a raceway are available when projected use does not require the integration of an electrical management system into the surface. This can result in more competitively priced workstations.
- Additional plates (LGC-COM) may be ordered.

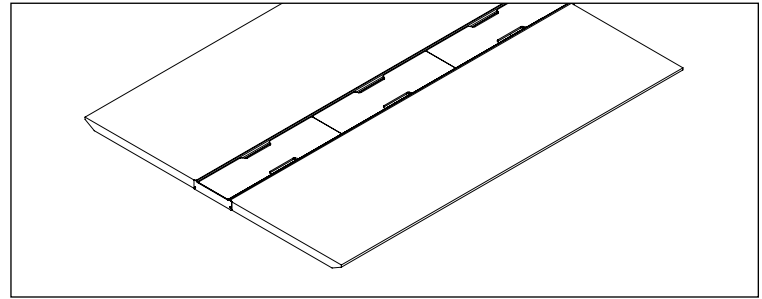
Examples of workstations:


SURFACES WITH KNIFE-EDGE:

Continuous knife-edge for connecting two surfaces:

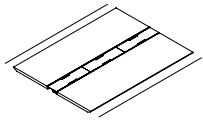


Flat edgebanding along surface edges:

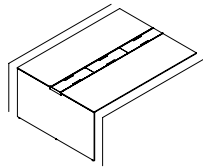


LOCATION OF KNIFE-EDGE DETAILING:

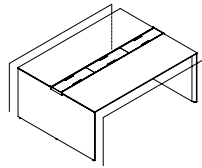
Double-sided surfaces:



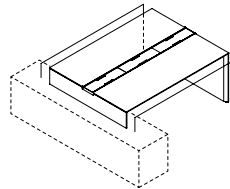
C_KNS-RCD_ _ _ _



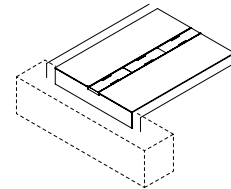
C_KNS-RCD_ _ _ _ RA



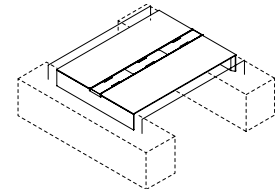
C_KNS-RCD_ _ _ _ A



C_KNS-RCD_ _ _ _ B

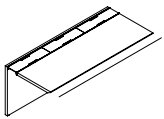


C_KNS-RCD_ _ _ _ RC

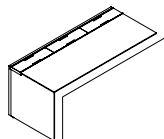


C_KNS-RCD_ _ _ _ C

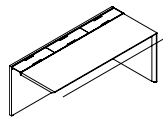
Single-sided surfaces:



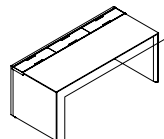
C_KNS-RCS_ _ _ _



C_KNS-RCS_ _ _ _ RAL

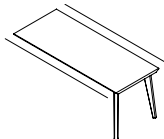


C_KNS-RCS_ _ _ _ RAR

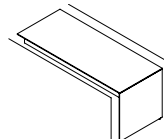


C_KNS-RCS_ _ _ _ A

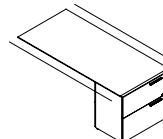
Return surfaces:



C_KN_-R_ _ _ _ A



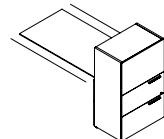
C_KNN-R_ _ _ _ S



C_K_-R_ _ _ _ ELUF

C_K_-R_ _ _ _ ELF

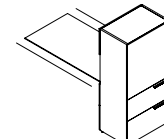
C_K_-R_ _ _ _ UF



C_K_-R_ _ _ _ 48ELUF

C_K_-R_ _ _ _ 48ELF

C_K_-R_ _ _ _ 48UF

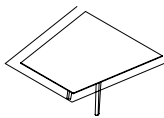


C_K_-R_ _ _ _ 61ELUF

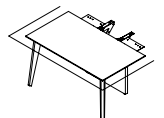
C_K_-R_ _ _ _ 61ELF

C_K_-R_ _ _ _ 61UF

Extension surfaces:



C_KN_-CEA_ _ _ _

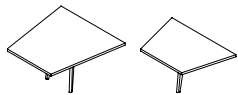
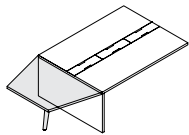
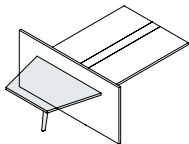
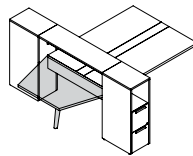
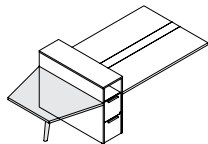
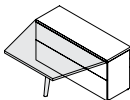
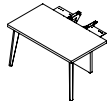
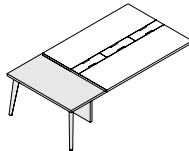


C_KN_-CE_ _ _ _

Surfaces with knife-edge are compatible with all bases. Laminate bases with knife-edge are available with integrated surfaces that also have knife-edge (e.g.: C_KNS-RCD_ _ _ _ RA).

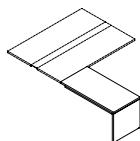
Extension surfaces enable knife-edge on all edges visible along a workstation's contour.

EXTENSION SURFACES

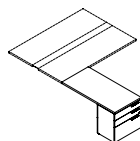
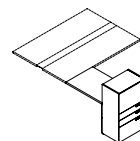
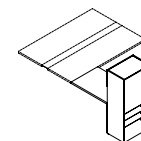
Compatibility of extension surfaces:	Surface	Center panel base	Storage center base module	Storage center base module	Credenza 29 ⁷ / ₈ " (757 mm)
Trapezoidal extension  C_NN_CEA_____	 C_NNS-RCD_____ CNNNS-LED_____	 CNNNS-LED9042 CNNNS-LED8442	 C_N__-PRCT__48__UF C_N__-PRCT__48__EFF C_N__-PRCT__48__FM	 C_N__-CRC__41__EUF C_N__-CRC__41__EFF	 C_N__-LUF____LUF C_N__-LF____LF C_N_N-S____S C_N__-____LUF C_N__-____LF C_N_N-____S
Rectangular extension  C_NN_CE_____	Surface  C_NNS-RCD_____	TRAPEZOIDAL AND RECTANGULAR EXTENSIONS: <ul style="list-style-type: none"> • Compatible with all double-sided surfaces. • Enable the creation of a conference table or a meeting space, at one end of a work surface. • Base included. • Trapezoidal extension surfaces are also compatible with 41"-tall (1042 mm) center panel bases for double-sided surfaces; storage center bases for double-sided surfaces; and 29"-tall (757 mm) credenzas. 			

RETURN SURFACES

Return surfaces

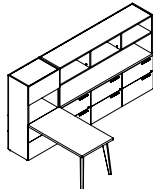

 29⁷/₈" H
(757 mm)
C_NN_R_____A

 29⁷/₈" H
(757 mm)
C_NNN-R_____S

Combination return surface and storage module


 29⁷/₈" H
(757 mm)
C_N__-R_____ELUF
C_N__-R_____ELF
C_N__-R_____UF

 48" H
(1207 mm)
C_NN-R_____48ELUF
C_NN-R_____48ELF
C_NN-R_____48UF

 61" H
(1557 mm)
C_NN-R_____61ELUF
C_NN-R_____61ELF
C_NN-R_____61UF

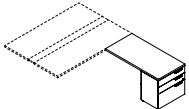
Surfaces 1/2"-thick (38 mm) with smooth edgebanding or knife-edge, and surfaces 1" (25 mm) thick with smooth edgebanding.

Examples of workstations:

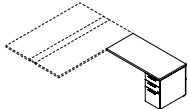


This type of return surface can be combined with 29" (757 mm) storage modules, as well as with hutches, to create 61"-tall (1557 mm) partitions for dividing an open space into several distinct areas.

- Can receive a mobile pedestal.
- C_NNN-R_____S and C_KNN-R_____S return surfaces integrating a laminate base are equipped with a 6"-tall (150 mm) reversible modesty panel.



**DRAWERS
OPEN AT THE END**
C_N__-R_____ELUF
C_N__-R_____ELF



**DRAWERS
OPEN ON THE SIDE**
C_N__-R_____UF

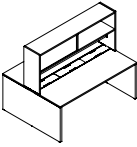
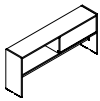
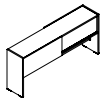
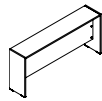
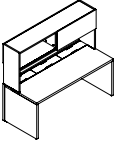
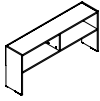
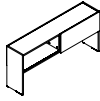
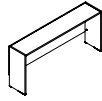
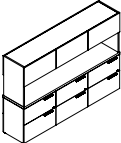
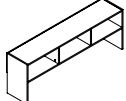
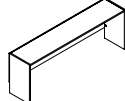
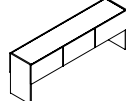
Return surfaces that combine a surface and a storage module are available with drawers located at the end of the surface, that open toward the end or onto the side.

- Return surfaces that combine a surface and a storage module are available in heights of 29" (757 mm), 48" (1207 mm) or 61" (1557 mm).



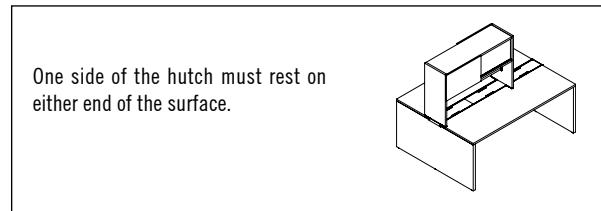
STORAGE MODULES: / HUTCHES / BOOKCASES / RAILS

HUTCHES

Hutch models	Open	Sliding door(s)	Divider	Flip-up door(s)
Double-sided surfaces 				
Single-sided surfaces 				
29 ⁷ / ₈ " (757 mm) storage modules 				

- Mid-rise back available in translucent acrylic (T), except for divider hutches.
- A divider hutch can hold a tackboard.
- 32" (800 mm) tall.

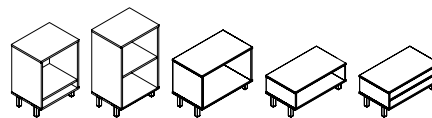
Example of proper hutch positioning:



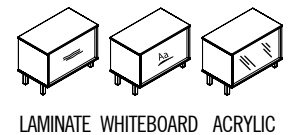
SURFACE STORAGE MODULES

- Made of 5/8" (16 mm) laminate. Legs made of anodized aluminum, 4" (100 mm) tall.
- Laminate back, in translucent acrylic (T) or in a whiteboard version for erasable markers. Can hold a tackboard.
- Enable a space to be divided up, and are designed to be placed above the wire management raceway.
- Height: 11" (285 mm), 18" (450 mm), 24" (610 mm) or 30" (762 mm).

Models:

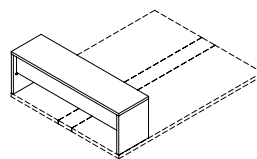


Choice of back:



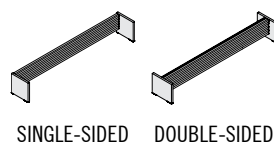
SURFACE COUNTERS

- Surface counter installs at the end or at the center of a double-sided surface.
- Counter height enables a space to be divided up and the creation of areas suitable for quick meetings.
- Made of 1"-thick (25 mm) laminate.
- Back made of translucent acrylic (T) held by metal ties, Silver color (ARS).
- Height: 11" (285 mm) or 18" (450 mm).



ACCESSORY RAILS

- Accessory rails are available in single- or double-sided versions.
- Compatible with metal accessories.
- Enable the space between two workstations to be divided up.
- Designed to be positioned above the wire management raceway.
- Made of laminate, with aluminum rail and Silver finish.
- Height: 11" (285 mm).



BASES: LATERAL / CENTER
LATERAL BASES

Compatibility of lateral bases:		Montréal* Metal	Chicago** Metal	New York*** Acrylic / Laminate	Panel Laminate	Storage module panel Laminate	Storage module Laminate
Double-sided surface	C_NNS-RCD_ _ _ _ 	CNNN_-ABD_ _ _ 	CNNN_-QBD_ _ _ 	CNNS-CBD_ _ _ 	CNNS-LED_ _28 CNNS-LED_ _41 	CNNS-LED_ _06 CNNS-LED_ _19 	C_N_S_N-EXR_ _29_ _ C_N_S_N-EXR_ _41_ _
120° surface	C_NNS-TCAD_ _ _ _ 	CNNN_-ABD_ _ _ 	CNNN_-QBD_ _ _ 	CNNS-CBD_ _ _ 	CNNS-LED_ _28 	CNNS-LED_ _06 	C_N_S-EXR_ _29_ _ C_N_S-EXR_ _41_ _
Single-sided surface	C_NNS-RCS_ _ _ _ 	CNNN_-ABS30_ _ _ 	CNNN_-QBS30_ _ _ 	CNNS-CBS_ _30_ _ 	CNNS-LES_ _28 CNNS-LES_ _41 		
Return surfaces	C_NN_-R_ _ _ _ 	CNNN_-AB_ _ _ 					

Montréal* and Chicago metal bases:**

- Available with Silver (S) or White (W) finish.
- 1 base required for each end of a table.
- Reversible for double-sided surfaces.
- Montréal base for single-sided surfaces is available in Left (L) or Right (R) models.

New York* translucent acrylic base:**

- 1 1/2"-thick (38 mm) laminate contour.
- Choice of translucent acrylic insert (T).
- Also available with laminate insert.
- 5/16" (8 mm) spacers.
- 6"-wide (150 mm) laminate contour.
- 1 base required for each end of a table.
- Reversible.

Laminate panel bases:

- 1 1/2"-thick (38 mm) laminate panel.
- 5/16" (8 mm) spacers.
- Cantilevers included with lateral panel bases.
- 1 base required for each end of a table.
- Panel bases on storage modules must entirely rest on a 21" (561 mm) storage module.
- Reversible for double-sided surfaces.

CENTER BASES

Compatibility of center bases:		Wire management Laminate	Panel Laminate	Panel on storage module Laminate
Double-sided surface	C_NNS-RCD_ _ _ _ 	CNNS-LBD1212WM 	CNNS-LCD2828 CNNS-LCD_ _41 	CNNS-LCD2806 CNNS-LCD_ _19
Single-sided surface	C_NNS-RCS_ _ _ _ 	CNNS-LBS912WM 	CNNS-LCS1728 CNNS-LCS4641 	

Center bases:

- Center panel base version with minimum 13" (330 mm) clearance on either side for legs. Cantilevers and connecting plates included.
- Wire management base in laminate; simple- or double-sided. Cantilevers included.

STORAGE BASE MODULES: / LATERAL / CENTER / OTHER LOW STORAGE MODULES

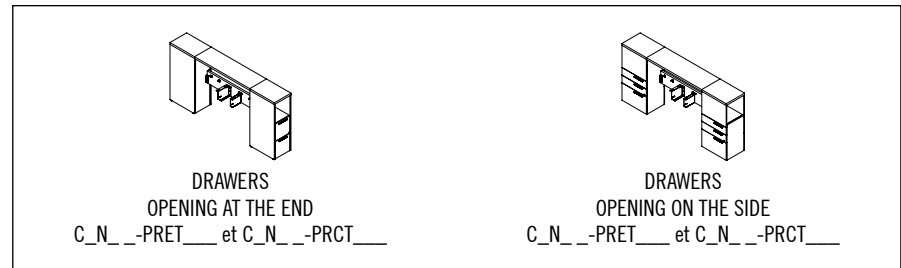
STORAGE BASE MODULES

Compatibility of storage base modules:

	Surface	2 surfaces	Surface and extension
Lateral: C_N__-PRET____			
C_N__-CRE____			
Center : C_N__-PRCT____			
C_N__-CRC____			

- C_N__-PRET____ and C_N__-PRCT____ products are available in 2 versions: with drawers opening at the end of the module or with drawers opening on the side of the module.

Examples of workstations:



Specifications:

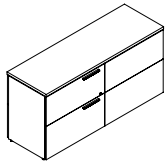
Storage bases serve to support double-sided surfaces, divide a space between users, and make possible several storage combinations. Center models are used at the junction of two surface sections, while lateral models complete a workstation at the end of a bench run.

- Mid-rise back available in translucent acrylic (T) for C_N__-PRET____ and C_N__-PRCT____ products.
- Cantilevers are included with all storage bases.
- Center models are also compatible with trapezoidal extension surfaces in order to create an area conducive to meetings.

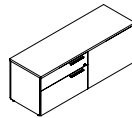
- C_N__-CRE____ and C_N__-CRC____ products are equipped with a wire management raceway that enables electric cables to be run from the floor to the surface.

STORAGE MODULE

STORAGE UNIT 29 7/8" (757 mm) OR STORAGE UNIT 29 3/8" (745 mm):



Storage module 21" (561 mm) :

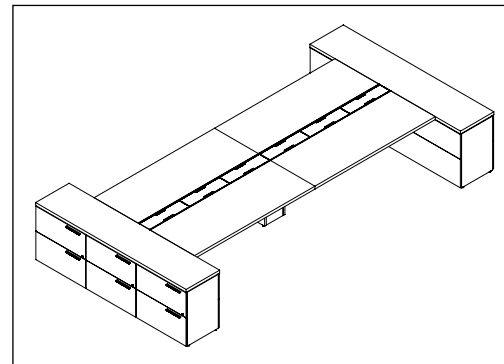


STORAGE MODULES:

- Top thickness: 1 1/2" (38 mm) or 1" (25 mm).
- Several drawer configurations available.
- Individual- or shared-use modules.
- Height: 21" (561 mm), 29 7/8" (757 mm) or 29 3/8" (745 mm).
- 29 7/8"- (757 mm) or 29 3/8"-tall (745 mm) storage modules may be joined to a double-sided surface, resting on the module back, using a set of surface support ties for storage modules (CNNNS-SURFCON). This set of supports must be ordered separately.

STORAGE MODULE 29 7/8" (757 mm) OR 29 3/8" (745 mm) ATTACHED TO A DOUBLE-SIDED SURFACE, USING A SET OF SURFACE SUPPORT TIES FOR STORAGE MODULES (CNNNS-SURFCON):

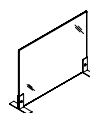
Example of a workstation:



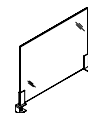
ACCESSORIES: / PRIVACY, LATERAL AND SPACE END SCREENS / CUSHIONS

PRIVACY AND LATERAL SCREENS

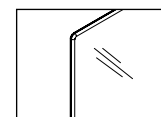
- Lateral and center dividing screens are available in 1/4"-thick (6 mm) acrylic, in 3/4"-thick (19 mm) fabric or in 1/2"-thick (12 mm) felt to establish individual work spaces.
- Choice of colors for translucent acrylic, United Chair® fabrics, and felt.
- Height: 11" (285 mm) or 18" (450 mm).



DIVIDERS



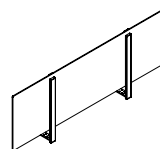
LATERAL



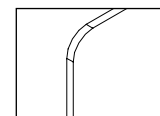
PRIVACY, LATERAL AND SPACE END SCREENS

END SCREENS

- End dividing screens are available in 1/4"-thick (6 mm) acrylic, in 3/4"-thick (19 mm) fabric or in 1/2"-thick (12 mm) felt to establish individual work spaces, from the adjacent corridor to the surface.
- Choice of colors for translucent acrylic, United Chair® fabrics, and felt. (Refer to color chart.)
- Metallic base sold separately. Enables a felt end screen to be turned into a tackboard.
- Height: 18" (450 mm).



END

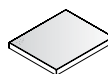


FELT END SCREENS

ACCESSORIES: / CUSHIONS

CUSHIONS:

- 21"-tall (561 mm) storage modules are compatible with all cushion models, except product C_N_N_N_N-CU1518, which is reserved for mobile pedestal C_N__MP1518F.
- 1 3/8"-thick (35 mm) foam.
- Choice of United Chair® fabrics.
- Comply with *Cal. 117* standard.

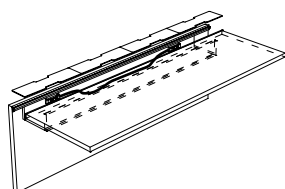


ELECTRICITY: / CHARACTERISTICS / ELECTRICAL POWER FEED

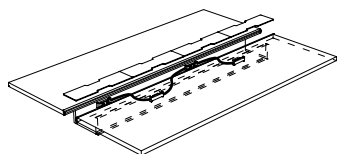
CHARACTERISTICS OF THE ELECTRICAL SYSTEM

- 4 wires, 2 circuits, 20 Amps each.
- 13 double electric power outlets per circuit. Maximum of 26 double outlets of 15 Amps per power source.
- Easy to adapt, install and reconfigure.
- UL-classified wiring system.
- Cradle-to-cradle compliance with RoHS standard, available upon request.
- For installation in wire management raceways.
- Functions in all regions except Chicago and New York.
- Manufactured wiring systems are not authorized in Chicago or New York.
- So simple: just 4 different kits deliver electrical power to all single-sided, double-sided or 120° work surfaces.

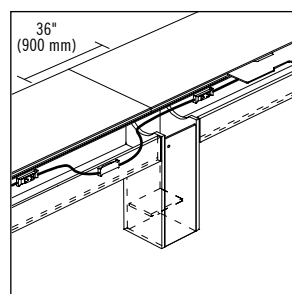
HOW TO SPECIFY:



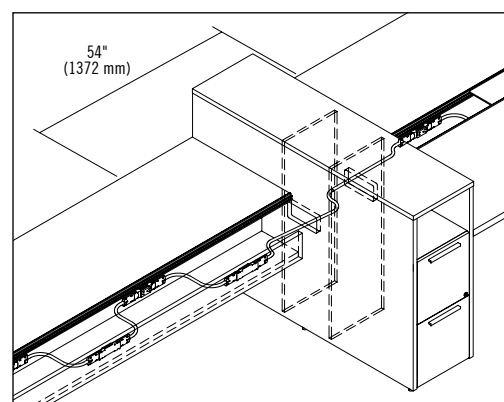
RCST3196 with LGC-4TRAC296C1



RCST6084 with LGC-4TRAC496C2



LGC-PASS36



LGC-PASS54

STEP 1

Determine the number of users.

STEP 2

Determine each user's electrical power needs (1 or 2 double outlets per workstation meet most needs). Choose one of the 4 kits available.

Each kit must be ordered according to the surface length and the number of double outlets required.

STEP 3

Determine whether 1 or 2 circuits are required, and order the number of kits needed. The kits are comprised of double outlets and cables. Each kit includes the hardware required to attach the cables to the wire management raceway.

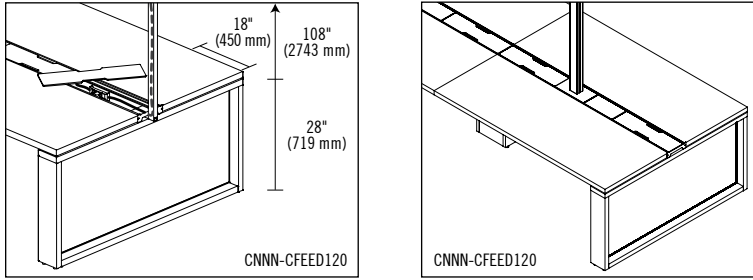
STEP 4

Each added surface must be connected to the adjacent surface with connecting cable LGC-PASS36, except for those arrangements where a C_N__CRC___ storage base is integrated between two surfaces; the latter must be connected with cable LGC-PASS54.

ELECTRICAL INFEED

There are a number of ways for bringing electrical power to surfaces, namely from a power source located in the floor, in a wall or in the ceiling.

Infeed from ceiling:



Power feed is plugged at one end of the piece of furniture or at any point along the top of the raceway. To this end, a 120"-tall (3000 mm) column is supplied, with the appropriate hardware.

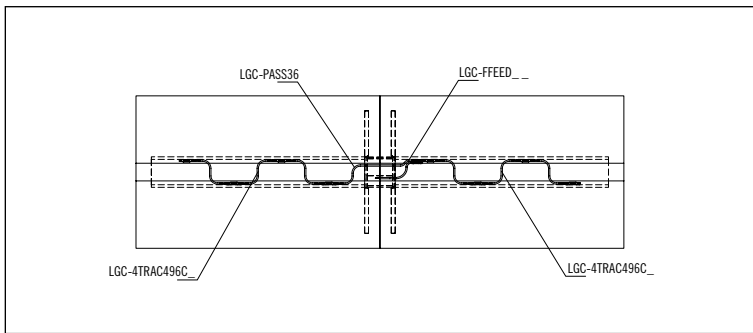
The cable is 132" (3353 mm) long, assuming the piece of furniture is 29 7/8" (757 mm) tall and that the first double power outlet is located 18" (450 mm) from the surface edge.

A contact plate may be installed along the wire management raceway's aluminum rails, and it can accommodate up to 4 connections.

Adapters are included.

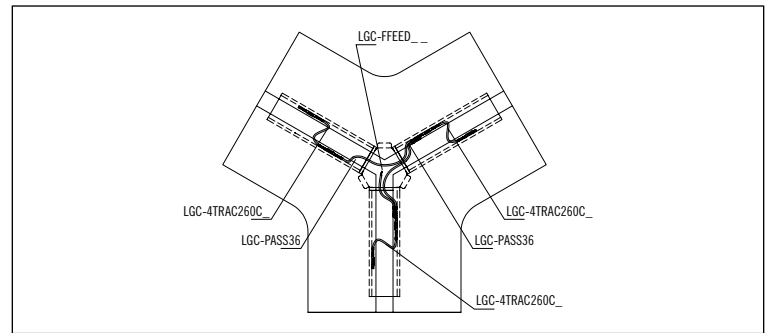
Examples of electrical specifications:

Rectangular surfaces:



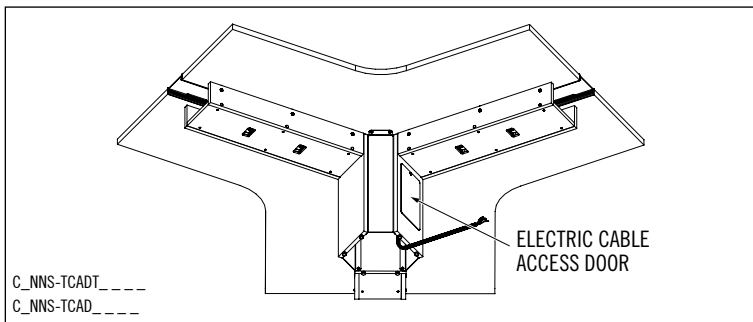
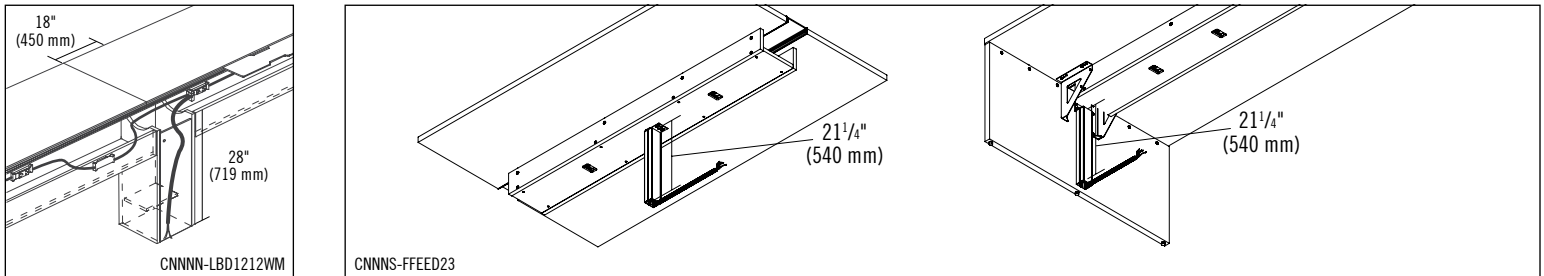
Two double-sided surfaces 60" D x 96" W (1500 mm x 2400 mm) are connected to an electric power source by the sequence of components shown in the diagram above.

120° surfaces:



120° surfaces 54" D x 60" W (1350 mm x 1500 mm) are connected to an electric power source by the sequence of components shown in the diagram above.

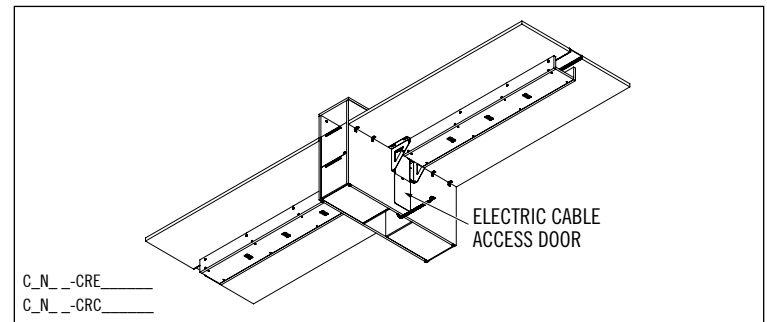
Infeed from floor:



The installation of the electrical feed must be carried out by a professional electrician.

Cables for floor infeed are available in lengths of 60" (1524 mm) or 72" (1829 mm), assuming the piece of furniture is 29 7/8" (757 mm) tall and that the first duplex is located 18" (450 mm) from the surface edge.

The center base with wire management raceway (CNNNS-LBD1212WM or CNNNS-LBS912WM) is equipped with a lockable door.



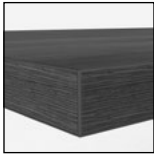
Power can be fed to: the end of the work surface; the center, thanks to the wire management raceway; the storage base equipped with a wire management raceway (C_N-CRE and C_N-CRC); the base of the 120° surface; or from any location beneath the raceway, using FFEED23 products, when the power source is in the floor.

Each electrical panel can feed 2 circuits comprising a maximum of 26 double outlets (13 per circuit).

EDGEBANDING:

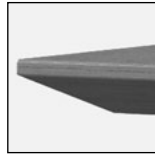
Automatically applied to the top and the sides.

N Edge



1" and 1½"
(25 mm and 38 mm)
N edgebanding matches the finish specified for the surface.

K Knife Edge



1½" (38 mm)
K knife-edge available (in coordinated colors) ONLY when a wood grain or Snow (SNO) finish is specified for the surface.

CODIFICATION

Series	Thickness	Options		
		Edgebanding	High-Gloss accent	Accent
C	1 Thermofused laminate 1" (25 mm)	N Smooth edge K Knife-edge	W High-Gloss White	S Silver W White
	2 High-pressure laminate 1" (25 mm)			
	5 Thermofused laminate 1½" (38 mm)			
	6 High-pressure laminate 1½" (38 mm)			

METAL BASES:

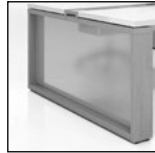
S – Silver or W – White



Montréal Base



Chicago Base



New York Base

LAMINATE OR LAMINATE/ ACRYLIC BASES:



SCREENS / LATERAL SCREENS:

Acrylic



T – Translucent

Felt



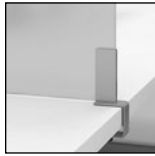
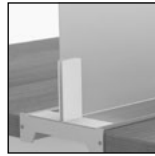
Several colors available.

Fabric

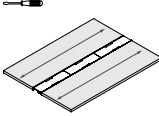
Several fabrics available. Refer to United Chair®'s fabric swatch cards.

SCREEN SUPPORTS, HANDLE, SURFACE ELECTRICAL MODULE:

S – Silver or W – White



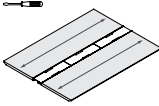


	W x D x H (in)	W x D x H (mm)	Code	All Laminate (\$)	HPL Surfaces (\$)
Double-sided surfaces with raceway	<i>Double-sided surfaces with wire management raceway. Translucent acrylic channel covers. 2 LGC-COM included. 1 tone only.</i>				
	72 x 60 x 1	1800 x 1500 x 25	C_NNS-RCDT6072	2,059	2,439
	60 x 60 x 1	1500 x 1500 x 25	C_NNS-RCDT6060	1,822	2,211
	48 x 60 x 1	1200 x 1500 x 25	C_NNS-RCDT6048	1,596	1,976
	72 x 54 x 1	1800 x 1350 x 25	C_NNS-RCDT5472	1,953	2,356
96" to 84"	60 x 54 x 1	1500 x 1350 x 25	C_NNS-RCDT5460	1,732	2,143
Packaged in 2 boxes.	48 x 54 x 1	1200 x 1350 x 25	C_NNS-RCDT5448	1,513	1,915

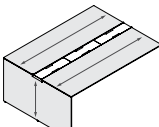
Specify the surface type (1, 2).

	96 x 60 x 1 1/2	2400 x 1500 x 38	C_NNS-RCDT6096	3,078	3,691
	84 x 60 x 1 1/2	2100 x 1500 x 38	C_NNS-RCDT6084	2,797	3,343
	72 x 60 x 1 1/2	1800 x 1500 x 38	C_NNS-RCDT6072	2,522	3,032
	60 x 60 x 1 1/2	1500 x 1500 x 38	C_NNS-RCDT6060	2,264	2,713
	48 x 60 x 1 1/2	1200 x 1500 x 38	C_NNS-RCDT6048	2,036	2,453
	96 x 54 x 1 1/2	2400 x 1350 x 38	C_NNS-RCDT5496	2,999	3,600
	84 x 54 x 1 1/2	2100 x 1350 x 38	C_NNS-RCDT5484	2,726	3,276
	72 x 54 x 1 1/2	1800 x 1350 x 38	C_NNS-RCDT5472	2,463	2,947
	60 x 54 x 1 1/2	1500 x 1350 x 38	C_NNS-RCDT5460	2,211	2,651
	48 x 54 x 1 1/2	1200 x 1350 x 38	C_NNS-RCDT5448	1,998	2,387

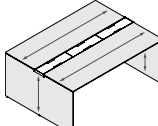
Specify the surface type (5, 6).

	W x D x H (in)	W x D x H (mm)	Code	All Laminate (\$)	HPL Surfaces (\$)
Double-sided surfaces with raceway and knife edge	<i>Double-sided surfaces with wire management raceway. Knife edge. Translucent acrylic channel covers. 2 LGC-COM included. 1 tone only.</i>				
	96 x 60 x 1 1/2	2400 x 1500 x 38	C_KNS-RCDT6096	3,494	3,920
	84 x 60 x 1 1/2	2100 x 1500 x 38	C_KNS-RCDT6084	3,276	3,633
	72 x 60 x 1 1/2	1800 x 1500 x 38	C_KNS-RCDT6072	2,987	3,283
	60 x 60 x 1 1/2	1500 x 1500 x 38	C_KNS-RCDT6060	2,756	2,994
	48 x 60 x 1 1/2	1200 x 1500 x 38	C_KNS-RCDT6048	2,538	2,704
96" to 84"	96 x 54 x 1 1/2	2400 x 1350 x 38	C_KNS-RCDT5496	3,358	3,776
Packaged in 2 boxes.	84 x 54 x 1 1/2	2100 x 1350 x 38	C_KNS-RCDT5484	3,145	3,503
	72 x 54 x 1 1/2	1800 x 1350 x 38	C_KNS-RCDT5472	2,871	3,177
	60 x 54 x 1 1/2	1500 x 1350 x 38	C_KNS-RCDT5460	2,662	2,902
	48 x 54 x 1 1/2	1200 x 1350 x 38	C_KNS-RCDT5448	2,445	2,628

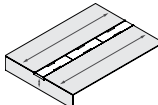
Specify the surface type (5, 6).

	W x D x H (in)	W x D x H (mm)	Code	All Laminate (\$)	HPL Surfaces (\$)
Double-sided surfaces with raceway and knife edge	<i>Double-sided surfaces with wire management raceway. Knife edge. Translucent acrylic channel covers. 1 full leg with knife edge included. 2 LGC-COM included. 1 tone only.</i>				
	96 x 60 x 29 7/8	2400 x 1500 x 757	C_KNS-RCDT6096RA	4,353	4,962
	84 x 60 x 29 7/8	2100 x 1500 x 757	C_KNS-RCDT6084RA	4,134	4,671
	72 x 60 x 29 7/8	1800 x 1500 x 757	C_KNS-RCDT6072RA	3,914	4,376
	60 x 60 x 29 7/8	1500 x 1500 x 757	C_KNS-RCDT6060RA	3,686	4,079
	48 x 60 x 29 7/8	1200 x 1500 x 757	C_KNS-RCDT6048RA	3,465	3,785
	96 x 54 x 29 7/8	2400 x 1350 x 757	C_KNS-RCDT5496RA	4,269	4,816
Packaged in 2 boxes.	84 x 54 x 29 7/8	2100 x 1350 x 757	C_KNS-RCDT5484RA	4,048	4,535
	72 x 54 x 29 7/8	1800 x 1350 x 757	C_KNS-RCDT5472RA	3,836	4,255
	60 x 54 x 29 7/8	1500 x 1350 x 757	C_KNS-RCDT5460RA	3,624	3,981
	48 x 54 x 29 7/8	1200 x 1350 x 757	C_KNS-RCDT5448RA	3,403	3,697

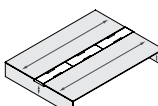
Specify the surface type (5, 6).

	W x D x H (in)	W x D x H (mm)	Code	All Laminate (\$)	HPL Surfaces (\$)
Double-sided surfaces with raceway and knife edge	<i>Double-sided surfaces with wire management raceway. Knife edge. Translucent acrylic channel covers. 2 full legs with knife edge included. 2 LGC-COM included. 1 tone only.</i>				
	96 x 60 x 29 7/8	2400 x 1500 x 757	C_KNS-RCDT6096A	5,424	6,025
	84 x 60 x 29 7/8	2100 x 1500 x 757	C_KNS-RCDT6084A	5,212	5,750
	72 x 60 x 29 7/8	1800 x 1500 x 757	C_KNS-RCDT6072A	5,008	5,478
	60 x 60 x 29 7/8	1500 x 1500 x 757	C_KNS-RCDT6060A	4,803	5,204
	48 x 60 x 29 7/8	1200 x 1500 x 757	C_KNS-RCDT6048A	4,595	4,922
	96 x 54 x 29 7/8	2400 x 1350 x 757	C_KNS-RCDT5496A	5,303	5,851
Packaged in 2 boxes.	84 x 54 x 29 7/8	2100 x 1350 x 757	C_KNS-RCDT5484A	5,106	5,585
	72 x 54 x 29 7/8	1800 x 1350 x 757	C_KNS-RCDT5472A	4,909	5,325
	60 x 54 x 29 7/8	1500 x 1350 x 757	C_KNS-RCDT5460A	4,704	5,068
	48 x 54 x 29 7/8	1200 x 1350 x 757	C_KNS-RCDT5448A	4,506	4,810

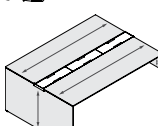
Specify the surface type (5, 6).

	W x D x H (in)	W x D x H (mm)	Code	All Laminate (\$)	HPL Surfaces (\$)
Double-sided surfaces with raceway and knife edge	<i>Double-sided surfaces with wire management raceway. Knife edge. Translucent acrylic channel covers. 1 small leg with knife edge included to be supported by low storage module. 2 LGC-COM included. 1 tone only.</i>				
	96 x 60 x 8	2400 x 1500 x 196	C_KNS-RCDT6096RC	4,148	4,751
	84 x 60 x 8	2100 x 1500 x 196	C_KNS-RCDT6084RC	3,928	4,460
	72 x 60 x 8	1800 x 1500 x 196	C_KNS-RCDT6072RC	3,709	4,164
	60 x 60 x 8	1500 x 1500 x 196	C_KNS-RCDT6060RC	3,487	3,875
	48 x 60 x 8	1200 x 1500 x 196	C_KNS-RCDT6048RC	3,266	3,586
96" to 72"	96 x 54 x 8	2400 x 1350 x 196	C_KNS-RCDT5496RC	4,079	4,612
Packaged in 2 boxes.	84 x 54 x 8	2100 x 1350 x 196	C_KNS-RCDT5484RC	3,867	4,338
	72 x 54 x 8	1800 x 1350 x 196	C_KNS-RCDT5472RC	3,655	4,064
	60 x 54 x 8	1500 x 1350 x 196	C_KNS-RCDT5460RC	3,441	3,785
	48 x 54 x 8	1200 x 1350 x 196	C_KNS-RCDT5448RC	3,230	3,509

Specify the surface type (5, 6).

	W x D x H (in)	W x D x H (mm)	Code	All Laminate (\$)	HPL Surfaces (\$)
Double-sided surfaces with raceway and knife edge	<i>Double-sided surfaces with wire management raceway. Knife edge. Translucent acrylic channel covers. 2 small legs with knife edge included to be supported by low storage modules. 2 LGC-COM included. 1 tone only.</i>				
	96 x 60 x 8	2400 x 1500 x 196	C_KNS-RCDT6096C	5,180	5,796
	84 x 60 x 8	2100 x 1500 x 196	C_KNS-RCDT6084C	4,974	5,516
	72 x 60 x 8	1800 x 1500 x 196	C_KNS-RCDT6072C	4,763	5,235
	60 x 60 x 8	1500 x 1500 x 196	C_KNS-RCDT6060C	4,551	4,956
	48 x 60 x 8	1200 x 1500 x 196	C_KNS-RCDT6048C	4,346	4,680
	96 x 54 x 8	2400 x 1350 x 196	C_KNS-RCDT5496C	5,091	5,637
Packaged in 2 boxes.	84 x 54 x 8	2100 x 1350 x 196	C_KNS-RCDT5484C	4,884	5,372
	72 x 54 x 8	1800 x 1350 x 196	C_KNS-RCDT5472C	4,687	5,106
	60 x 54 x 8	1500 x 1350 x 196	C_KNS-RCDT5460C	4,483	4,847
	48 x 54 x 8	1200 x 1350 x 196	C_KNS-RCDT5448C	4,278	4,580

Specify the surface type (5, 6).

	W x D x H (in)	W x D x H (mm)	Code	All Laminate (\$)	HPL Surfaces (\$)
Double-sided surfaces with raceway and knife edge	<i>Double-sided surfaces with wire management raceway. Knife edge. Translucent acrylic channel covers. 1 full leg and 1 small leg with knife edge included to be supported by low storage module. 2 LGC-COM included. 1 tone only.</i>				
	96 x 60 x 29 7/8	2400 x 1500 x 757	C_KNS-RCDT6096B	5,325	5,939
	84 x 60 x 29 7/8	2100 x 1500 x 757	C_KNS-RCDT6084B	5,113	5,661
	72 x 60 x 29 7/8	1800 x 1500 x 757	C_KNS-RCDT6072B	4,900	5,379
	60 x 60 x 29 7/8	1500 x 1500 x 757	C_KNS-RCDT6060B	4,694	5,100
	48 x 60 x 29 7/8	1200 x 1500 x 757	C_KNS-RCDT6048B	4,483	4,816

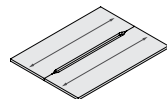
Packaged in 2 boxes.

2-TONE LAMINATE APPLICATION: SHADED AREA CORRESPONDS TO THE FIRST CODE TO BE SPECIFIED. SECOND LAMINATE CODE WILL BE APPLIED TO THE REST OF THE PRODUCT.



	W x D x H (in)	W x D x H (mm)	Code	All Laminate (\$)	HPL Surfaces (\$)
Double-sided surfaces with raceway and knife edge (cont'd)	96 x 54 x 29 ⁷ / ₈	2400 x 1350 x 757	C_KNS-RCDT5496B	5,212	5,767
	84 x 54 x 29 ⁷ / ₈	2100 x 1350 x 757	C_KNS-RCDT5484B	5,015	5,501
	72 x 54 x 29 ⁷ / ₈	1800 x 1350 x 757	C_KNS-RCDT5472B	4,810	5,235
	60 x 54 x 29 ⁷ / ₈	1500 x 1350 x 757	C_KNS-RCDT5460B	4,604	4,974
	48 x 54 x 29 ⁷ / ₈	1200 x 1350 x 757	C_KNS-RCDT5448B	4,406	4,711

Specify the surface type (5, 6).

Double-sided surfaces without raceway


96" to 84"

Packaged in 2 boxes.

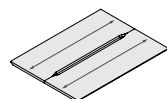
Double-sided surfaces with 2³/₄" (70 mm) space for wires between surfaces. 1 tone only.

72 x 60 x 1	1800 x 1500 x 25	C_NNN-RCD6072	1,784	2,393
60 x 60 x 1	1500 x 1500 x 25	C_NNN-RCD6060	1,474	1,998
48 x 60 x 1	1200 x 1500 x 25	C_NNN-RCD6048	1,162	1,574
72 x 54 x 1	1800 x 1350 x 25	C_NNN-RCD5472	1,678	2,280
60 x 54 x 1	1500 x 1350 x 25	C_NNN-RCD5460	1,566	1,907
48 x 54 x 1	1200 x 1350 x 25	C_NNN-RCD5448	1,452	1,513

Specify the surface type (1, 2).

96 x 60 x 1 ¹ / ₂	2400 x 1500 x 38	C_NNN-RCD6096	2,096	2,797
84 x 60 x 1 ¹ / ₂	2100 x 1500 x 38	C_NNN-RCD6084	2,044	2,562
72 x 60 x 1 ¹ / ₂	1800 x 1500 x 38	C_NNN-RCD6072	2,027	2,400
60 x 60 x 1 ¹ / ₂	1500 x 1500 x 38	C_NNN-RCD6060	1,685	2,187
48 x 60 x 1 ¹ / ₂	1200 x 1500 x 38	C_NNN-RCD6048	1,579	2,044
96 x 54 x 1 ¹ / ₂	2400 x 1350 x 38	C_NNN-RCD5496	2,021	2,689
84 x 54 x 1 ¹ / ₂	2100 x 1350 x 38	C_NNN-RCD5484	1,869	2,476
72 x 54 x 1 ¹ / ₂	1800 x 1350 x 38	C_NNN-RCD5472	1,770	2,309
60 x 54 x 1 ¹ / ₂	1500 x 1350 x 38	C_NNN-RCD5460	1,633	2,129
48 x 54 x 1 ¹ / ₂	1200 x 1350 x 38	C_NNN-RCD5448	1,541	1,968

Specify the surface type (5, 6).

Double-sided knife edge surfaces without raceway


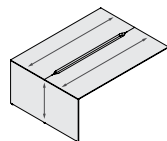
96" to 84"

Packaged in 2 boxes.

Double-sided surfaces with 2³/₄" (70 mm) space for wires between surfaces. Knife edge. 1 tone only.

96 x 60 x 1 ¹ / ₂	2400 x 1500 x 38	C_KNN-RCD6096	2,651	3,310
84 x 60 x 1 ¹ / ₂	2100 x 1500 x 38	C_KNN-RCD6084	2,463	3,039
72 x 60 x 1 ¹ / ₂	1800 x 1500 x 38	C_KNN-RCD6072	2,271	2,766
60 x 60 x 1 ¹ / ₂	1500 x 1500 x 38	C_KNN-RCD6060	2,082	2,493
48 x 60 x 1 ¹ / ₂	1200 x 1500 x 38	C_KNN-RCD6048	1,891	2,218
96 x 54 x 1 ¹ / ₂	2400 x 1350 x 38	C_KNN-RCD5496	2,538	3,124
84 x 54 x 1 ¹ / ₂	2100 x 1350 x 38	C_KNN-RCD5484	2,356	2,871
72 x 54 x 1 ¹ / ₂	1800 x 1350 x 38	C_KNN-RCD5472	2,182	2,621
60 x 54 x 1 ¹ / ₂	1500 x 1350 x 38	C_KNN-RCD5460	1,998	2,371
48 x 54 x 1 ¹ / ₂	1200 x 1350 x 38	C_KNN-RCD5448	1,822	2,118

Specify the surface type (5, 6).

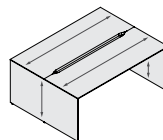
Double-sided knife edge surfaces without raceway


Packaged in 2 boxes.

Double-sided surfaces with 2³/₄" (70 mm) space for wires between surfaces. Knife edge. 1 full leg with knife edge included. 1 tone only.

96 x 60 x 29 ⁷ / ₈	2400 x 1500 x 757	C_KNS-RCD6096RA	3,875	4,535
84 x 60 x 29 ⁷ / ₈	2100 x 1500 x 757	C_KNS-RCD6084RA	3,691	4,269
72 x 60 x 29 ⁷ / ₈	1800 x 1500 x 757	C_KNS-RCD6072RA	3,509	4,003
60 x 60 x 29 ⁷ / ₈	1500 x 1500 x 757	C_KNS-RCD6060RA	3,330	3,745
48 x 60 x 29 ⁷ / ₈	1200 x 1500 x 757	C_KNS-RCD6048RA	3,145	3,480
96 x 54 x 29 ⁷ / ₈	2400 x 1350 x 757	C_KNS-RCD5496RA	3,715	4,300
84 x 54 x 29 ⁷ / ₈	2100 x 1350 x 757	C_KNS-RCD5484RA	3,540	4,058
72 x 54 x 29 ⁷ / ₈	1800 x 1350 x 757	C_KNS-RCD5472RA	3,375	3,816
60 x 54 x 29 ⁷ / ₈	1500 x 1350 x 757	C_KNS-RCD5460RA	3,204	3,572
48 x 54 x 29 ⁷ / ₈	1200 x 1350 x 757	C_KNS-RCD5448RA	3,032	3,330

Specify the surface type (5, 6).

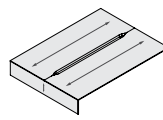
Double-sided knife edge surfaces without raceway


Packaged in 2 boxes.

Double-sided surfaces with 2³/₄" (70 mm) space for wires between surfaces. Knife edge. 2 full legs with knife edge included. 1 tone only.

96 x 60 x 29 ⁷ / ₈	2400 x 1500 x 757	C_KNS-RCD6096A	4,968	5,637
84 x 60 x 29 ⁷ / ₈	2100 x 1500 x 757	C_KNS-RCD6084A	4,787	5,372
72 x 60 x 29 ⁷ / ₈	1800 x 1500 x 757	C_KNS-RCD6072A	4,604	5,106
60 x 60 x 29 ⁷ / ₈	1500 x 1500 x 757	C_KNS-RCD6060A	4,422	4,838
48 x 60 x 29 ⁷ / ₈	1200 x 1500 x 757	C_KNS-RCD6048A	4,246	4,574
96 x 54 x 29 ⁷ / ₈	2400 x 1350 x 757	C_KNS-RCD5496A	4,769	5,355
84 x 54 x 29 ⁷ / ₈	2100 x 1350 x 757	C_KNS-RCD5484A	4,595	5,113
72 x 54 x 29 ⁷ / ₈	1800 x 1350 x 757	C_KNS-RCD5472A	4,428	4,869
60 x 54 x 29 ⁷ / ₈	1500 x 1350 x 757	C_KNS-RCD5460A	4,261	4,627
48 x 54 x 29 ⁷ / ₈	1200 x 1350 x 757	C_KNS-RCD5448A	4,089	4,385

Specify the surface type (5, 6).

Double-sided knife edge surfaces without raceway


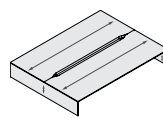
96" to 72"

Packaged in 2 boxes.

Double-sided surfaces with 2³/₄" (70 mm) space for wires between surfaces. Knife edge. 1 small leg with knife edge included to be supported by low storage module. 1 tone only.

96 x 60 x 8	2400 x 1500 x 196	C_KNS-RCD6096RC	3,715	4,385
84 x 60 x 8	2100 x 1500 x 196	C_KNS-RCD6084RC	3,540	4,117
72 x 60 x 8	1800 x 1500 x 196	C_KNS-RCD6072RC	3,358	3,852
60 x 60 x 8	1500 x 1500 x 196	C_KNS-RCD6060RC	3,177	3,586
48 x 60 x 8	1200 x 1500 x 196	C_KNS-RCD6048RC	2,994	3,330
96 x 54 x 8	2400 x 1350 x 196	C_KNS-RCD5496RC	3,580	4,164
84 x 54 x 8	2100 x 1350 x 196	C_KNS-RCD5484RC	3,403	3,956
72 x 54 x 8	1800 x 1350 x 196	C_KNS-RCD5472RC	3,236	3,745
60 x 54 x 8	1500 x 1350 x 196	C_KNS-RCD5460RC	3,069	3,533
48 x 54 x 8	1200 x 1350 x 196	C_KNS-RCD5448RC	2,895	3,330

Specify the surface type (5, 6).

Double-sided knife edge surfaces without raceway


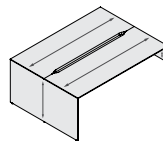
96" to 72"

Packaged in 2 boxes.

Double-sided surfaces with 2³/₄" (70 mm) space for wires between surfaces. Knife edge. 2 small legs with knife edge included to be supported by low storage modules. 1 tone only.

96 x 60 x 8	2400 x 1500 x 196	C_KNS-RCD6096C	4,664	5,325
84 x 60 x 8	2100 x 1500 x 196	C_KNS-RCD6084C	4,483	5,068
72 x 60 x 8	1800 x 1500 x 196	C_KNS-RCD6072C	4,300	4,803
60 x 60 x 8	1500 x 1500 x 196	C_KNS-RCD6060C	4,117	4,535
48 x 60 x 8	1200 x 1500 x 196	C_KNS-RCD6048C	3,935	4,269
96 x 54 x 8	2400 x 1350 x 196	C_KNS-RCD5496C	4,497	5,081
84 x 54 x 8	2100 x 1350 x 196	C_KNS-RCD5484C	4,323	4,838
72 x 54 x 8	1800 x 1350 x 196	C_KNS-RCD5472C	4,156	4,595
60 x 54 x 8	1500 x 1350 x 196	C_KNS-RCD5460C	3,989	4,353
48 x 54 x 8	1200 x 1350 x 196	C_KNS-RCD5448C	3,816	4,110

Specify the surface type (5, 6).

Double-sided knife edge surfaces without raceway


Packaged in 2 boxes.

Double-sided surfaces with 2³/₄" (70 mm) space for wires between surfaces. Knife edge. 1 full leg and 1 small leg with knife edge included to be supported by low storage module. 1 tone only.

96 x 60 x 29 ⁷ / ₈	2400 x 1500 x 757	C_KNS-RCD6096B	4,816	5,478
84 x 60 x 29 ⁷ / ₈	2100 x 1500 x 757	C_KNS-RCD6084B	4,633	5,218
72 x 60 x 29 ⁷ / ₈	1800 x 1500 x 757	C_KNS-RCD6072B	4,452	4,956
60 x 60 x 29 ⁷ / ₈	1500 x 1500 x 757	C_KNS-RCD6060B	4,269	4,687
48 x 60 x 29 ⁷ / ₈	1200 x 1500 x 757	C_KNS-RCD6048B	4,089	4,422
96 x 54 x 29 ⁷ / ₈	2400 x 1350 x 757	C_KNS-RCD5496B	4,633	5,218
84 x 54 x 29 ⁷ / ₈	2100 x 1350 x 757	C_KNS-RCD5484B	4,460	4,974
72 x 54 x 29 ⁷ / ₈	1800 x 1350 x 757	C_KNS-RCD5472B	4,293	4,732
60 x 54 x 29 ⁷ / ₈	1500 x 1350 x 757	C_KNS-RCD5460B	4,124	4,489
48 x 54 x 29 ⁷ / ₈	1200 x 1350 x 757	C_KNS-RCD5448B	3,951	4,246

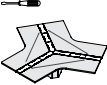
Specify the surface type (5, 6).


2-TONE LAMINATE APPLICATION: SHADED AREA CORRESPONDS TO THE FIRST CODE TO BE SPECIFIED. SECOND LAMINATE CODE WILL BE APPLIED TO THE REST OF THE PRODUCT.

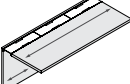
= NOT PART OF THE QUICKSHIP PROGRAM

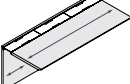
= ASSEMBLY REQUIRED

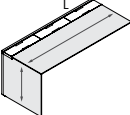


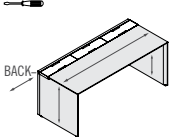
	W x D x H (in)	W x D x H (mm)	Code	All Laminate (\$)	HPL Surfaces (\$)
120-degree surfaces with raceway	<i>Surfaces with wire management raceway. Translucent acrylic channel covers. Wire management center base included. 3 LGC-COM included. 1 tone only.</i>				
	60 x 54 x 29 ³ / ₈	1500 x 1350 x 745	C_NN_-TCADT5460	5,507	6,997
	54 x 54 x 29 ³ / ₈	1350 x 1350 x 745	C_NN_-TCADT5454	5,449	6,843
	Specify the surface type (1, 2). Specify accent color (S, W).				
Packaged in 4 boxes.	60 x 54 x 29 ³ / ₈	1500 x 1350 x 757	C_NN_-TCADT5460	6,155	7,712
	54 x 54 x 29 ³ / ₈	1350 x 1350 x 757	C_NN_-TCADT5454	6,055	7,520
	Specify the surface type (5, 6). Specify accent color (S, W).				

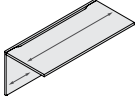
	W x D x H (in)	W x D x H (mm)	Code	All Laminate (\$)	HPL Surfaces (\$)
120-degree surfaces without raceway	<i>Surfaces with 2³/₄" (70 mm) space for wires between surfaces. Wire management center base included. 1 tone only.</i>				
	60 x 54 x 29 ³ / ₈	1500 x 1350 x 745	C_NN_-TCAD5460	3,989	5,758
	54 x 54 x 29 ³ / ₈	1350 x 1350 x 745	C_NN_-TCAD5454	3,943	5,643
	Specify the surface type (1, 2). Specify accent color (S, W).				
Packaged in 4 boxes.	60 x 54 x 29 ³ / ₈	1500 x 1350 x 757	C_NN_-TCAD5460	4,757	6,600
	54 x 54 x 29 ³ / ₈	1350 x 1350 x 757	C_NN_-TCAD5454	4,680	6,459
	Specify the surface type (5, 6). Specify accent color (S, W).				

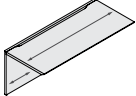
	W x D x H (in)	W x D x H (mm)	Code	All Laminate (\$)	HPL Surfaces (\$)
Single-sided surfaces with raceway	<i>Single-sided surfaces with wire management raceway. Translucent acrylic channel covers. 1 LGC-COM included. 1 tone only.</i>				
	72 x 31 x 29 ³ / ₈	1800 x 797 x 745	C_NNS-RCST3172	1,658	1,953
	60 x 31 x 29 ³ / ₈	1500 x 797 x 745	C_NNS-RCST3160	1,520	1,802
	48 x 31 x 29 ³ / ₈	1200 x 797 x 745	C_NNS-RCST3148	1,368	1,627
	Specify the surface type (1, 2).				
96" to 84"	96 x 31 x 29 ³ / ₈	2400 x 797 x 757	C_NNS-RCST3196	2,064	2,476
Packaged in 2 boxes.	84 x 31 x 29 ³ / ₈	2100 x 797 x 757	C_NNS-RCST3184	1,847	2,211
	72 x 31 x 29 ³ / ₈	1800 x 797 x 757	C_NNS-RCST3172	1,692	2,027
	60 x 31 x 29 ³ / ₈	1500 x 797 x 757	C_NNS-RCST3160	1,559	1,863
	48 x 31 x 29 ³ / ₈	1200 x 797 x 757	C_NNS-RCST3148	1,421	1,705
	Specify the surface type (5, 6).				

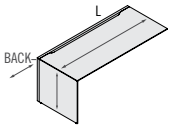
	W x D x H (in)	W x D x H (mm)	Code	All Laminate (\$)	HPL Surfaces (\$)
Single-sided knife edge surfaces with raceway	<i>Single-sided surfaces with wire management raceway. Knife edge. Translucent acrylic channel covers. 1 LGC-COM included. 1 tone only.</i>				
	96 x 31 x 29 ³ / ₈	2400 x 797 x 757	C_KNS-RCST3196	2,583	3,100
	84 x 31 x 29 ³ / ₈	2100 x 797 x 757	C_KNS-RCST3184	2,309	2,774
	72 x 31 x 29 ³ / ₈	1800 x 797 x 757	C_KNS-RCST3172	2,118	2,544
	60 x 31 x 29 ³ / ₈	1500 x 797 x 757	C_KNS-RCST3160	1,945	2,332
	48 x 31 x 29 ³ / ₈	1200 x 797 x 757	C_KNS-RCST3148	1,777	2,134
	Specify the surface type (5, 6).				
96" to 84"					
Packaged in 2 boxes.					

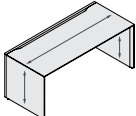
	W x D x H (in)	W x D x H (mm)	Code	All Laminate (\$)	HPL Surfaces (\$)
Single-sided knife edge surfaces with raceway	<i>Single-sided surfaces with wire management raceway. Knife edge. Translucent acrylic channel covers. 1 full leg with knife edge included. 1 LGC-COM included. 1 tone only.</i>				
	96 x 31 x 29 ³ / ₈	2400 x 797 x 757	C_KNS-RCST3196RA	3,116	3,738
	84 x 31 x 29 ³ / ₈	2100 x 797 x 757	C_KNS-RCST3184RA	2,842	3,410
	72 x 31 x 29 ³ / ₈	1800 x 797 x 757	C_KNS-RCST3172RA	2,651	3,184
	60 x 31 x 29 ³ / ₈	1500 x 797 x 757	C_KNS-RCST3160RA	2,476	2,970
	48 x 31 x 29 ³ / ₈	1200 x 797 x 757	C_KNS-RCST3148RA	2,309	2,774
	Specify the surface type (5, 6). Choose left or right, add L or R at the end of the code.				
96" to 72"					
Packaged in 2 boxes.					

	W x D x H (in)	W x D x H (mm)	Code	All Laminate (\$)	HPL Surfaces (\$)
Single-sided knife edge surfaces with raceway	<i>Single-sided surfaces with wire management raceway. Knife edge. Translucent acrylic channel covers. 2 full legs with knife edge included. 1 LGC-COM included. 1 tone only.</i>				
	96 x 31 x 29 ³ / ₈	2400 x 797 x 757	C_KNS-RCST3196A	3,494	4,019
	84 x 31 x 29 ³ / ₈	2100 x 797 x 757	C_KNS-RCST3184A	3,225	3,709
	72 x 31 x 29 ³ / ₈	1800 x 797 x 757	C_KNS-RCST3172A	3,032	3,487
	60 x 31 x 29 ³ / ₈	1500 x 797 x 757	C_KNS-RCST3160A	2,856	3,283
	48 x 31 x 29 ³ / ₈	1200 x 797 x 757	C_KNS-RCST3148A	2,689	3,092
	Specify the surface type (5, 6).				
Packaged in 2 boxes.					

	W x D x H (in)	W x D x H (mm)	Code	All Laminate (\$)	HPL Surfaces (\$)
Single-sided surfaces without raceway	<i>Single-sided surfaces with 2" (50 mm) space for wires on the surface. 1 tone only.</i>				
	72 x 31 x 29 ³ / ₈	1800 x 797 x 745	C_NNN-RCS3172	1,087	1,354
	60 x 31 x 29 ³ / ₈	1500 x 797 x 745	C_NNN-RCS3160	1,017	1,238
	48 x 31 x 29 ³ / ₈	1200 x 797 x 745	C_NNN-RCS3148	950	1,132
	Specify the surface type (1, 2).				
96" to 84"	96 x 31 x 29 ³ / ₈	2400 x 797 x 757	C_NNN-RCS3196	1,902	2,247
Packaged in 2 boxes.	84 x 31 x 29 ³ / ₈	2100 x 797 x 757	C_NNN-RCS3184	1,705	2,007
	72 x 31 x 29 ³ / ₈	1800 x 797 x 757	C_NNN-RCS3172	1,505	1,763
	60 x 31 x 29 ³ / ₈	1500 x 797 x 757	C_NNN-RCS3160	1,307	1,527
	48 x 31 x 29 ³ / ₈	1200 x 797 x 757	C_NNN-RCS3148	1,111	1,283
	Specify the surface type (5, 6).				

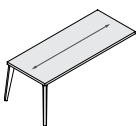
	W x D x H (in)	W x D x H (mm)	Code	All Laminate (\$)	HPL Surfaces (\$)
Single-sided knife edge surfaces without raceway	<i>Single-sided surfaces with 2" (50 mm) space for wires on the surface. Knife edge. 1 tone only.</i>				
	96 x 31 x 29 ³ / ₈	2400 x 797 x 757	C_KNN-RCS3196	2,064	2,393
	84 x 31 x 29 ³ / ₈	2100 x 797 x 757	C_KNN-RCS3184	1,876	2,165
	72 x 31 x 29 ³ / ₈	1800 x 797 x 757	C_KNN-RCS3172	1,692	1,936
	60 x 31 x 29 ³ / ₈	1500 x 797 x 757	C_KNN-RCS3160	1,527	1,716
	48 x 31 x 29 ³ / ₈	1200 x 797 x 757	C_KNN-RCS3148	1,335	1,488
	Specify the surface type (5, 6).				
96" to 84"					
Packaged in 2 boxes.					

	W x D x H (in)	W x D x H (mm)	Code	All Laminate (\$)	HPL Surfaces (\$)
Single-sided knife edge surfaces without raceway	<i>Single-sided surfaces with 2" (50mm) space for wires on the surface. 1 full leg with knife edge included. 1 tone only.</i>				
	96 x 31 x 29 ³ / ₈	2400 x 797 x 757	C_KNS-RCS3196RA	2,720	3,105
	84 x 31 x 29 ³ / ₈	2100 x 797 x 757	C_KNS-RCS3184RA	2,538	2,881
	72 x 31 x 29 ³ / ₈	1800 x 797 x 757	C_KNS-RCS3172RA	2,356	2,651
	60 x 31 x 29 ³ / ₈	1500 x 797 x 757	C_KNS-RCS3160RA	2,173	2,424
	48 x 31 x 29 ³ / ₈	1200 x 797 x 757	C_KNS-RCS3148RA	1,983	2,204
	Specify the surface type (5, 6). Choose left or right, add L or R at the end of the code.				
96" to 72"					
Packaged in 2 boxes.					

	W x D x H (in)	W x D x H (mm)	Code	All Laminate (\$)	HPL Surfaces (\$)
Single-sided knife edge surfaces without raceway	<i>Single-sided surfaces with 2" (50 mm) space for wires on the surface. 2 full legs with knife edge included. 1 tone only.</i>				
	96 x 31 x 29 ³ / ₈	2400 x 797 x 757	C_KNS-RCS3196A	3,473	3,821
	84 x 31 x 29 ³ / ₈	2100 x 797 x 757	C_KNS-RCS3184A	3,283	3,591
	72 x 31 x 29 ³ / ₈	1800 x 797 x 757	C_KNS-RCS3172A	3,092	3,363
	60 x 31 x 29 ³ / ₈	1500 x 797 x 757	C_KNS-RCS3160A	2,909	3,138
	48 x 31 x 29 ³ / ₈	1200 x 797 x 757	C_KNS-RCS3148A	2,720	2,909
	Specify the surface type (5, 6).				
Packaged in 2 boxes.					

2-TONE LAMINATE APPLICATION: SHADED AREA CORRESPONDS TO THE FIRST CODE TO BE SPECIFIED. SECOND LAMINATE CODE WILL BE APPLIED TO THE REST OF THE PRODUCT.



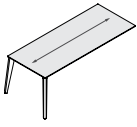
	W x D x H (in)	W x D x H (mm)	Code	All Laminate (\$)	HPL Surfaces (\$)
Return surfaces	<i>Rectangular return surfaces. Metal bases included.</i>				
	72 x 36 x 29 ⁷ / ₈	1800 x 900 x 745	C_NN_-R3672A	1,141	1,428
	60 x 36 x 29 ⁷ / ₈	1500 x 900 x 745	C_NN_-R3660A	1,111	1,345
	48 x 36 x 29 ⁷ / ₈	1200 x 900 x 745	C_NN_-R3648A	1,070	1,262
	72 x 30 x 29 ⁷ / ₈	1800 x 750 x 745	C_NN_-R3072A	1,111	1,345
	60 x 30 x 29 ⁷ / ₈	1500 x 750 x 745	C_NN_-R3060A	1,078	1,276
	48 x 30 x 29 ⁷ / ₈	1200 x 750 x 745	C_NN_-R3048A	1,047	1,200
	36 x 30 x 29 ⁷ / ₈	900 x 750 x 745	C_NN_-R3036A	1,011	1,132
	72 x 24 x 29 ⁷ / ₈	1800 x 600 x 745	C_NN_-R2472A	1,070	1,262
	60 x 24 x 29 ⁷ / ₈	1500 x 600 x 745	C_NN_-R2460A	1,047	1,208
	48 x 24 x 29 ⁷ / ₈	1200 x 600 x 745	C_NN_-R2448A	1,017	1,147
	36 x 24 x 29 ⁷ / ₈	900 x 600 x 745	C_NN_-R2436A	995	1,094

Packaged in 3 boxes.

Specify the surface type (1, 2). Specify accent color (S, W).

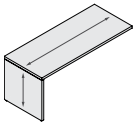
72 x 36 x 29 ⁷ / ₈	1800 x 900 x 757	C_NN_-R3672A	1,271	1,574
60 x 36 x 29 ⁷ / ₈	1500 x 900 x 757	C_NN_-R3660A	1,215	1,532
48 x 36 x 29 ⁷ / ₈	1200 x 900 x 757	C_NN_-R3648A	1,153	1,354
72 x 30 x 29 ⁷ / ₈	1800 x 750 x 757	C_NN_-R3072A	1,215	1,467
60 x 30 x 29 ⁷ / ₈	1500 x 750 x 757	C_NN_-R3060A	1,172	1,459
48 x 30 x 29 ⁷ / ₈	1200 x 750 x 757	C_NN_-R3048A	1,117	1,368
36 x 30 x 29 ⁷ / ₈	900 x 750 x 757	C_NN_-R3036A	1,070	1,193
72 x 24 x 29 ⁷ / ₈	1800 x 600 x 757	C_NN_-R2472A	1,162	1,360
60 x 24 x 29 ⁷ / ₈	1500 x 600 x 757	C_NN_-R2460A	1,124	1,292
48 x 24 x 29 ⁷ / ₈	1200 x 600 x 757	C_NN_-R2448A	1,078	1,215
36 x 24 x 29 ⁷ / ₈	900 x 600 x 757	C_NN_-R2436A	1,042	1,141

Specify the surface type (5, 6). Specify accent color (S, W).

	W x D x H (in)	W x D x H (mm)	Code	All Laminate (\$)	HPL Surfaces (\$)
Return surfaces, knife edge	<i>Rectangular return surfaces. Knife edge. Metal bases included.</i>				
	72 x 36 x 29 ⁷ / ₈	1800 x 900 x 757	C_KN_-R3672A	1,481	1,822
	60 x 36 x 29 ⁷ / ₈	1500 x 900 x 757	C_KN_-R3660A	1,428	1,716
	48 x 36 x 29 ⁷ / ₈	1200 x 900 x 757	C_KN_-R3648A	1,375	1,611
	72 x 30 x 29 ⁷ / ₈	1800 x 750 x 757	C_KN_-R3072A	1,428	1,627
	60 x 30 x 29 ⁷ / ₈	1500 x 750 x 757	C_KN_-R3060A	1,382	1,559
	48 x 30 x 29 ⁷ / ₈	1200 x 750 x 757	C_KN_-R3048A	1,335	1,513
	36 x 30 x 29 ⁷ / ₈	900 x 750 x 757	C_KN_-R3036A	1,292	1,459
	72 x 24 x 29 ⁷ / ₈	1800 x 600 x 757	C_KN_-R2472A	1,382	1,620
	60 x 24 x 29 ⁷ / ₈	1500 x 600 x 757	C_KN_-R2460A	1,345	1,551
	48 x 24 x 29 ⁷ / ₈	1200 x 600 x 757	C_KN_-R2448A	1,307	1,474
	36 x 24 x 29 ⁷ / ₈	900 x 600 x 757	C_KN_-R2436A	1,271	1,406

Packaged in 3 boxes.

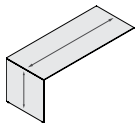
Specify the surface type (5, 6). Specify accent color (S, W).

	W x D x H (in)	W x D x H (mm)	Code	All Laminate (\$)	HPL Surfaces (\$)
Return surfaces	<i>Rectangular return surfaces. 6" small back. 1 full 1 1/2" (38 mm) leg included. Reversible. Can accommodate 1 mobile pedestal CNNN_-MP1518F.</i>				
	72 x 36 x 29 ⁷ / ₈	1800 x 900 x 745	C_NNN-R3672S	989	1,307
	60 x 36 x 29 ⁷ / ₈	1500 x 900 x 745	C_NNN-R3660S	935	1,200
	48 x 36 x 29 ⁷ / ₈	1200 x 900 x 745	C_NNN-R3648S	874	1,087
	72 x 30 x 29 ⁷ / ₈	1800 x 750 x 745	C_NNN-R3072S	926	1,193
	60 x 30 x 29 ⁷ / ₈	1500 x 750 x 745	C_NNN-R3060S	874	1,094
	48 x 30 x 29 ⁷ / ₈	1200 x 750 x 745	C_NNN-R3048S	822	995
	36 x 30 x 29 ⁷ / ₈	900 x 750 x 745	C_NNN-R3036S	768	905
	72 x 24 x 29 ⁷ / ₈	1800 x 600 x 745	C_NNN-R2472S	859	1,070
	60 x 24 x 29 ⁷ / ₈	1500 x 600 x 745	C_NNN-R2460S	812	995
	48 x 24 x 29 ⁷ / ₈	1200 x 600 x 745	C_NNN-R2448S	768	912
	36 x 24 x 29 ⁷ / ₈	900 x 600 x 745	C_NNN-R2436S	722	828

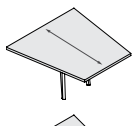
Specify the surface type (1, 2).

	W x D x H (in)	W x D x H (mm)	Code	All Laminate (\$)	HPL Surfaces (\$)
Return surfaces (cont'd)	72 x 36 x 29 ⁷ / ₈	1800 x 900 x 757	C_NNN-R3672S	1,111	1,397
	60 x 36 x 29 ⁷ / ₈	1500 x 900 x 757	C_NNN-R3660S	1,004	1,271
	48 x 36 x 29 ⁷ / ₈	1200 x 900 x 757	C_NNN-R3648S	889	1,124
	72 x 30 x 29 ⁷ / ₈	1800 x 750 x 757	C_NNN-R3072S	966	1,262
	60 x 30 x 29 ⁷ / ₈	1500 x 750 x 757	C_NNN-R3060S	898	1,141
	48 x 30 x 29 ⁷ / ₈	1200 x 750 x 757	C_NNN-R3048S	828	1,023
	36 x 30 x 29 ⁷ / ₈	900 x 750 x 757	C_NNN-R3036S	759	905
	72 x 24 x 29 ⁷ / ₈	1800 x 600 x 757	C_NNN-R2472S	881	1,117
	60 x 24 x 29 ⁷ / ₈	1500 x 600 x 757	C_NNN-R2460S	828	1,017
	48 x 24 x 29 ⁷ / ₈	1200 x 600 x 757	C_NNN-R2448S	768	926
	36 x 24 x 29 ⁷ / ₈	900 x 600 x 757	C_NNN-R2436S	705	828

Specify the surface type (5, 6).

	W x D x H (in)	W x D x H (mm)	Code	All Laminate (\$)	HPL Surfaces (\$)
Return surfaces, knife edge	<i>Rectangular return surfaces. 6" (150 mm) small back. Knife edge. 1 full leg included. Reversible. Can accommodate 1 mobile pedestal CNNN_-MP1518F. 1 tone only.</i>				
	72 x 36 x 29 ⁷ / ₈	1800 x 900 x 757	C_KNN-R3672S	1,368	1,685
	60 x 36 x 29 ⁷ / ₈	1500 x 900 x 757	C_KNN-R3660S	1,299	1,559
	48 x 36 x 29 ⁷ / ₈	1200 x 900 x 757	C_KNN-R3648S	1,215	1,428
	72 x 30 x 29 ⁷ / ₈	1800 x 750 x 757	C_KNN-R3072S	1,283	1,551
	60 x 30 x 29 ⁷ / ₈	1500 x 750 x 757	C_KNN-R3060S	1,215	1,434
	48 x 30 x 29 ⁷ / ₈	1200 x 750 x 757	C_KNN-R3048S	1,147	1,329
	36 x 30 x 29 ⁷ / ₈	900 x 750 x 757	C_KNN-R3036S	1,087	1,215
	72 x 24 x 29 ⁷ / ₈	1800 x 600 x 757	C_KNN-R2472S	1,200	1,415
	60 x 24 x 29 ⁷ / ₈	1500 x 600 x 757	C_KNN-R2460S	1,177	1,317
	48 x 24 x 29 ⁷ / ₈	1200 x 600 x 757	C_KNN-R2448S	1,153	1,224
	36 x 24 x 29 ⁷ / ₈	900 x 600 x 757	C_KNN-R2436S	1,132	1,177

Specify the surface type (5, 6).

	W x D x H (in)	W x D x H (mm)	Code	All Laminate (\$)	HPL Surfaces (\$)
Trapezoidal extension surfaces	<i>Trapezoidal extension surfaces. Must be installed at the end of a double-sided surface. Metal base included.</i>				
	60 x 54 x 29 ⁷ / ₈	1500 x 1350 x 745	C_NN_-CEA6054	1,421	1,777
	60 x 36 x 29 ⁷ / ₈	1500 x 900 x 745	C_NN_-CEA6036	942	1,177
	60 x 30 x 29 ⁷ / ₈	1500 x 750 x 745	C_NN_-CEA6030	905	1,111
	60 x 24 x 29 ⁷ / ₈	1500 x 600 x 745	C_NN_-CEA6024	874	1,034
	54 x 54 x 29 ⁷ / ₈	1350 x 1350 x 745	C_NN_-CEA5454	1,375	1,732
	54 x 36 x 29 ⁷ / ₈	1350 x 900 x 745	C_NN_-CEA5436	905	1,141
	54 x 30 x 29 ⁷ / ₈	1350 x 750 x 745	C_NN_-CEA5430	865	1,047
	54 x 24 x 29 ⁷ / ₈	1350 x 600 x 745	C_NN_-CEA5424	837	989

Packaged in 2 or 3 boxes depending on the number of legs.

Specify the surface type (1, 2). Specify accent color (S, W).

60 x 54 x 29 ⁷ / ₈	1500 x 1350 x 757	C_NN_-CEA6054	1,658	1,953
60 x 36 x 29 ⁷ / ₈	1500 x 900 x 757	C_NN_-CEA6036	1,094	1,292
60 x 30 x 29 ⁷ / ₈	1500 x 750 x 757	C_NN_-CEA6030	1,047	1,208
60 x 24 x 29 ⁷ / ₈	1500 x 600 x 757	C_NN_-CEA6024	995	1,117
54 x 54 x 29 ⁷ / ₈	1350 x 1350 x 757	C_NN_-CEA5454	1,604	1,902
54 x 36 x 29 ⁷ / ₈	1350 x 900 x 757	C_NN_-CEA5436	1,047	1,247
54 x 30 x 29 ⁷ / ₈	1350 x 750 x 757	C_NN_-CEA5430	1,004	1,162
54 x 24 x 29 ⁷ / ₈	1350 x 600 x 757	C_NN_-CEA5424	942	1,054

Specify the surface type (5, 6). Specify accent color (S, W).

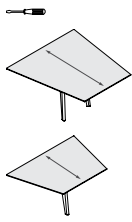
2-TONE LAMINATE APPLICATION: SHADED AREA CORRESPONDS TO THE FIRST CODE TO BE SPECIFIED. SECOND LAMINATE CODE WILL BE APPLIED TO THE REST OF THE PRODUCT.

= NOT PART OF THE QUICKSHIP PROGRAM

= ASSEMBLY REQUIRED



Trapezoidal extension surfaces with knife edge

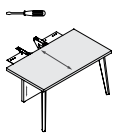


Packaged in 2 or 3 boxes depending on the number of legs.

W x D x H (in)	W x D x H (mm)	Code	All Laminate (\$)	HPL Surfaces (\$)
<i>Trapezoidal extension surfaces with knife edge. Must be installed at the end of a double-sided surface. Metal base included.</i>				
60 x 54 x 29 ³ / ₈	1500 x 1350 x 757	C_KN-CEA6054	1,777	2,134
60 x 36 x 29 ³ / ₈	1500 x 900 x 757	C_KN-CEA6036	1,283	1,527
60 x 30 x 29 ³ / ₈	1500 x 750 x 757	C_KN-CEA6030	1,238	1,445
60 x 24 x 29 ³ / ₈	1500 x 600 x 757	C_KN-CEA6024	1,193	1,360
54 x 54 x 29 ³ / ₈	1350 x 1350 x 757	C_KN-CEA5454	1,725	1,928
54 x 36 x 29 ³ / ₈	1350 x 900 x 757	C_KN-CEA5436	1,229	1,459
54 x 30 x 29 ³ / ₈	1350 x 750 x 757	C_KN-CEA5430	1,186	1,382
54 x 24 x 29 ³ / ₈	1350 x 600 x 757	C_KN-CEA5424	1,147	1,307

Specify the surface type (5, 6). Specify accent color (S, W).

Rectangular extension surfaces



Packaged in 3 boxes.

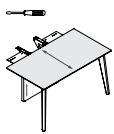
W x D x H (in)	W x D x H (mm)	Code	All Laminate (\$)	HPL Surfaces (\$)
<i>Rectangular extension surfaces. Must be installed at the end of a double-sided surface. Metal base and laminate junction panel included.</i>				
60 x 36 x 29 ³ / ₈	1500 x 900 x 745	C_NN-CE6036	1,611	1,876
60 x 30 x 29 ³ / ₈	1500 x 750 x 745	C_NN-CE6030	1,579	1,809
60 x 24 x 29 ³ / ₈	1500 x 600 x 745	C_NN-CE6024	1,559	1,748
54 x 36 x 29 ³ / ₈	1350 x 900 x 745	C_NN-CE5436	1,566	1,809
54 x 30 x 29 ³ / ₈	1350 x 750 x 745	C_NN-CE5430	1,532	1,738
54 x 24 x 29 ³ / ₈	1350 x 600 x 745	C_NN-CE5424	1,505	1,685

Specify the surface type (1, 2). Specify accent color (S, W).

60 x 36 x 29 ³ / ₈	1500 x 900 x 757	C_NN-CE6036	1,725	1,988
60 x 30 x 29 ³ / ₈	1500 x 750 x 757	C_NN-CE6030	1,678	1,907
60 x 24 x 29 ³ / ₈	1500 x 600 x 757	C_NN-CE6024	1,633	1,822
54 x 36 x 29 ³ / ₈	1350 x 900 x 757	C_NN-CE5436	1,678	1,921
54 x 30 x 29 ³ / ₈	1350 x 750 x 757	C_NN-CE5430	1,633	1,830
54 x 24 x 29 ³ / ₈	1350 x 600 x 757	C_NN-CE5424	1,579	1,763

Specify the surface type (5, 6). Specify accent color (S, W).

Rectangular extension surfaces with knife edge

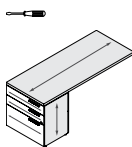


Packaged in 3 boxes.

W x D x H (in)	W x D x H (mm)	Code	All Laminate (\$)	HPL Surfaces (\$)
<i>Rectangular extension surfaces with knife edge. Must be installed at the end of a double-sided surface. Metal base and laminate junction panel included.</i>				
60 x 36 x 29 ³ / ₈	1500 x 900 x 757	C_KN-CE6036	1,998	2,264
60 x 30 x 29 ³ / ₈	1500 x 750 x 757	C_KN-CE6030	1,953	2,187
60 x 24 x 29 ³ / ₈	1500 x 600 x 757	C_KN-CE6024	1,907	2,107
54 x 36 x 29 ³ / ₈	1350 x 900 x 757	C_KN-CE5436	1,945	2,204
54 x 30 x 29 ³ / ₈	1350 x 750 x 757	C_KN-CE5430	1,902	2,118
54 x 24 x 29 ³ / ₈	1350 x 600 x 757	C_KN-CE5424	1,854	2,036

Specify the surface type (5, 6). Specify accent color (S, W).

Return surface and storage module combos



High-Gloss White finish option for drawer fronts and back (W): add \$242.

Packaged in 2 boxes.

W x D x H (in)	W x D x H (mm)	Code	All Laminate (\$)	HPL Surfaces (\$)
<i>2 box drawers and 1 file drawer with suspension bar. Drawers open at the end of the module. Pencil tray. Lock.</i>				
72 x 36 x 29 ³ / ₈	1800 x 900 x 745	C_N-R3672ELUF	2,059	2,340
60 x 36 x 29 ³ / ₈	1500 x 900 x 745	C_N-R3660ELUF	2,021	2,257
48 x 36 x 29 ³ / ₈	1200 x 900 x 745	C_N-R3648ELUF	1,983	2,165
72 x 30 x 29 ³ / ₈	1800 x 750 x 745	C_N-R3072ELUF	1,976	2,218
60 x 30 x 29 ³ / ₈	1500 x 750 x 745	C_N-R3060ELUF	1,945	2,143
48 x 30 x 29 ³ / ₈	1200 x 750 x 745	C_N-R3048ELUF	1,915	2,074
72 x 24 x 29 ³ / ₈	1800 x 600 x 745	C_N-R2472ELUF	1,902	2,088
60 x 24 x 29 ³ / ₈	1500 x 600 x 745	C_N-R2460ELUF	1,881	2,044
48 x 24 x 29 ³ / ₈	1200 x 600 x 745	C_N-R2448ELUF	1,863	1,988

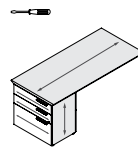
Specify the surface type (1, 2). Specify the Gloss finish (W, N). Specify accent color (S, W).

Return surface and storage module combos (cont'd)

W x D x H (in)	W x D x H (mm)	Code	All Laminate (\$)	HPL Surfaces (\$)
72 x 36 x 29 ³ / ₈	1800 x 900 x 757	C_N-R3672ELUF	2,226	2,530
60 x 36 x 29 ³ / ₈	1500 x 900 x 757	C_N-R3660ELUF	2,165	2,417
48 x 36 x 29 ³ / ₈	1200 x 900 x 757	C_N-R3648ELUF	2,107	2,309
72 x 30 x 29 ³ / ₈	1800 x 750 x 757	C_N-R3072ELUF	2,118	2,376
60 x 30 x 29 ³ / ₈	1500 x 750 x 757	C_N-R3060ELUF	2,053	2,289
48 x 30 x 29 ³ / ₈	1200 x 750 x 757	C_N-R3048ELUF	1,976	2,194
72 x 24 x 29 ³ / ₈	1800 x 600 x 757	C_N-R2472ELUF	2,027	2,226
60 x 24 x 29 ³ / ₈	1500 x 600 x 757	C_N-R2460ELUF	1,983	2,149
48 x 24 x 29 ³ / ₈	1200 x 600 x 757	C_N-R2448ELUF	1,945	2,082

Specify the surface type (5, 6). Specify the Gloss finish (W, N). Specify accent color (S, W).

Return surface and storage module combos with knife edge



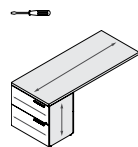
High-Gloss White finish option for drawer fronts and back (W): add \$242.

Packaged in 2 boxes.

W x D x H (in)	W x D x H (mm)	Code	All Laminate (\$)	HPL Surfaces (\$)
<i>Surface with knife edge. 2 box drawers and 1 file drawer with suspension bar. Drawers open at the end of the module. Pencil tray. Lock.</i>				
72 x 34 x 29 ³ / ₈	1800 x 850 x 757	C_K-R3472ELUF	2,417	2,689
60 x 34 x 29 ³ / ₈	1500 x 850 x 757	C_K-R3460ELUF	2,356	2,592
48 x 34 x 29 ³ / ₈	1200 x 850 x 757	C_K-R3448ELUF	2,294	2,485
72 x 28 x 29 ³ / ₈	1800 x 700 x 757	C_K-R2872ELUF	2,318	2,544
60 x 28 x 29 ³ / ₈	1500 x 700 x 757	C_K-R2860ELUF	2,271	2,463
48 x 28 x 29 ³ / ₈	1200 x 700 x 757	C_K-R2848ELUF	2,218	2,371

Specify the surface type (5, 6). Specify the Gloss finish (W, N). Specify accent color (S, W).

Return surface and storage module combos



High-Gloss White finish option for drawer fronts and back (W): add \$242.

Packaged in 2 boxes.

W x D x H (in)	W x D x H (mm)	Code	All Laminate (\$)	HPL Surfaces (\$)
<i>2 file drawers with suspension bars. Drawers open at the end of the module. Lock.</i>				
72 x 36 x 29 ³ / ₈	1800 x 900 x 745	C_N-R3672ELF	1,692	1,983
60 x 36 x 29 ³ / ₈	1500 x 900 x 745	C_N-R3660ELF	1,664	1,902
48 x 36 x 29 ³ / ₈	1200 x 900 x 745	C_N-R3648ELF	1,627	1,816
72 x 30 x 29 ³ / ₈	1800 x 750 x 745	C_N-R3072ELF	1,705	1,936
60 x 30 x 29 ³ / ₈	1500 x 750 x 745	C_N-R3060ELF	1,672	1,869
48 x 30 x 29 ³ / ₈	1200 x 750 x 745	C_N-R3048ELF	1,638	1,802
72 x 24 x 29 ³ / ₈	1800 x 600 x 745	C_N-R2472ELF	1,638	1,830
60 x 24 x 29 ³ / ₈	1500 x 600 x 745	C_N-R2460ELF	1,620	1,777
48 x 24 x 29 ³ / ₈	1200 x 600 x 745	C_N-R2448ELF	1,586	1,716

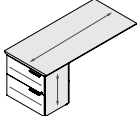
Specify the surface type (1, 2). Specify the Gloss finish (W, N). Specify accent color (S, W).

72 x 36 x 29 ³ / ₈	1800 x 900 x 757	C_N-R3672ELF	1,928	2,234
60 x 36 x 29 ³ / ₈	1500 x 900 x 757	C_N-R3660ELF	1,869	2,107
48 x 36 x 29 ³ / ₈	1200 x 900 x 757	C_N-R3648ELF	1,809	1,945
72 x 30 x 29 ³ / ₈	1800 x 750 x 757	C_N-R3072ELF	1,838	2,096
60 x 30 x 29 ³ / ₈	1500 x 750 x 757	C_N-R3060ELF	1,793	2,007
48 x 30 x 29 ³ / ₈	1200 x 750 x 757	C_N-R3048ELF	1,738	1,915
72 x 24 x 29 ³ / ₈	1800 x 600 x 757	C_N-R2472ELF	1,763	1,960
60 x 24 x 29 ³ / ₈	1500 x 600 x 757	C_N-R2460ELF	1,716	1,891
48 x 24 x 29 ³ / ₈	1200 x 600 x 757	C_N-R2448ELF	1,678	1,816

Specify the surface type (5, 6). Specify the Gloss finish (W, N). Specify accent color (S, W).

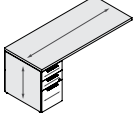

2-TONE LAMINATE APPLICATION: SHADED AREA CORRESPONDS TO THE FIRST CODE TO BE SPECIFIED. SECOND LAMINATE CODE WILL BE APPLIED TO THE REST OF THE PRODUCT.



	W x D x H (in)	W x D x H (mm)	Code	All Laminate (\$)	HPL Surfaces (\$)
Return surface and storage module combos with knife edge 	<i>Surface with knife edge. 2 file drawers with suspension bars. Drawers open at the end of the module. Lock.</i>				
	72 x 34 x 29 ⁷ / ₈	1800 x 850 x 757	C_K_-R3472ELF	2,143	2,417
	60 x 34 x 29 ⁷ / ₈	1500 x 850 x 757	C_K_-R3460ELF	2,088	2,318
	48 x 34 x 29 ⁷ / ₈	1200 x 850 x 757	C_K_-R3448ELF	2,027	2,211
	72 x 28 x 29 ⁷ / ₈	1800 x 700 x 757	C_K_-R2872ELF	2,059	2,294
	60 x 28 x 29 ⁷ / ₈	1500 x 700 x 757	C_K_-R2860ELF	2,013	2,204
	48 x 28 x 29 ⁷ / ₈	1200 x 700 x 757	C_K_-R2848ELF	1,960	2,112

High-Gloss White finish option for drawer fronts and back (W): add \$242.

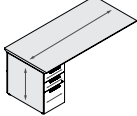
Packaged in 2 boxes.

	W x D x H (in)	W x D x H (mm)	Code	All Laminate (\$)	HPL Surfaces (\$)
Return surface and storage module combos 	<i>2 box drawers and 1 file drawer with suspension bar. Drawers open on the side. Pencil tray. Lock. Reversible.</i>				
	72 x 36 x 29 ⁷ / ₈	1800 x 900 x 745	C_N_-R3672UF	1,998	2,289
	60 x 36 x 29 ⁷ / ₈	1500 x 900 x 745	C_N_-R3660UF	1,960	2,204
	48 x 36 x 29 ⁷ / ₈	1200 x 900 x 745	C_N_-R3648UF	1,921	2,118
	72 x 30 x 29 ⁷ / ₈	1800 x 750 x 745	C_N_-R3072UF	1,928	2,165
	60 x 30 x 29 ⁷ / ₈	1500 x 750 x 745	C_N_-R3060UF	1,902	2,096
	48 x 30 x 29 ⁷ / ₈	1200 x 750 x 745	C_N_-R3048UF	1,869	2,027
Return surface and storage module combos - 48" H 	<i>2 file drawers with suspension bars. Drawers open at the end of the module. Bookcase above surface. Pencil tray. Lock.</i>				
	72 x 24 x 29 ⁷ / ₈	1800 x 600 x 745	C_N_-R2472UF	1,854	2,044
	60 x 24 x 29 ⁷ / ₈	1500 x 600 x 745	C_N_-R2460UF	1,830	1,988
	48 x 24 x 29 ⁷ / ₈	1200 x 600 x 745	C_N_-R2448UF	1,802	1,928

High-Gloss White finish option for drawer fronts and back (W): add \$242.

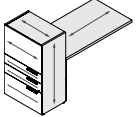
Packaged in 2 boxes.

Specify the surface type (1, 2). Specify the Gloss finish (W, N). Specify accent color (S, W).					
72 x 36 x 29 ⁷ / ₈	1800 x 900 x 757	C_N_-R3672UF	2,165	2,469	
60 x 36 x 29 ⁷ / ₈	1500 x 900 x 757	C_N_-R3660UF	2,107	2,364	
48 x 36 x 29 ⁷ / ₈	1200 x 900 x 757	C_N_-R3648UF	2,053	2,247	
72 x 30 x 29 ⁷ / ₈	1800 x 750 x 757	C_N_-R3072UF	2,074	2,325	
60 x 30 x 29 ⁷ / ₈	1500 x 750 x 757	C_N_-R3060UF	2,027	2,234	
48 x 30 x 29 ⁷ / ₈	1200 x 750 x 757	C_N_-R3048UF	1,976	2,143	
72 x 24 x 29 ⁷ / ₈	1800 x 600 x 757	C_N_-R2472UF	1,976	2,182	
60 x 24 x 29 ⁷ / ₈	1500 x 600 x 757	C_N_-R2460UF	1,936	2,107	
48 x 24 x 29 ⁷ / ₈	1200 x 600 x 757	C_N_-R2448UF	1,891	2,027	

	W x D x H (in)	W x D x H (mm)	Code	All Laminate (\$)	HPL Surfaces (\$)
Return surface and storage module combos with knife edge 	<i>Surface with knife edge. 2 box drawers and 1 file drawer with suspension bar. Drawers open on the side. Pencil tray. Lock. Reversible.</i>				
	72 x 34 x 29 ⁷ / ₈	1800 x 850 x 757	C_K_-R3472UF	2,387	2,662
	60 x 34 x 29 ⁷ / ₈	1500 x 850 x 757	C_K_-R3460UF	2,325	2,562
	48 x 34 x 29 ⁷ / ₈	1200 x 850 x 757	C_K_-R3448UF	2,264	2,445
	72 x 28 x 29 ⁷ / ₈	1800 x 700 x 757	C_K_-R2872UF	2,289	2,515
	60 x 28 x 29 ⁷ / ₈	1500 x 700 x 757	C_K_-R2860UF	2,241	2,429
	48 x 28 x 29 ⁷ / ₈	1200 x 700 x 757	C_K_-R2848UF	2,187	2,340

High-Gloss White finish option for drawer fronts and back (W) : add \$242.

Packaged in 2 boxes.

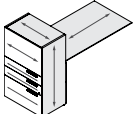
	W x D x H (in)	W x D x H (mm)	Code	All Laminate (\$)	HPL Surfaces (\$)
Return surface and storage module combos - 48" H 	<i>2 box drawers and 1 file drawer with suspension bar. Drawers open at the end of the module. Bookcase above surface. Pencil tray. Lock.</i>				
	72 x 36 x 47	1800 x 900 x 1195	C_N_-R367248ELUF	2,376	2,668
	60 x 36 x 47	1500 x 900 x 1195	C_N_-R366048ELUF	2,340	2,583
	72 x 30 x 47	1800 x 750 x 1195	C_N_-R307248ELUF	2,280	2,522
	60 x 30 x 47	1500 x 750 x 1195	C_N_-R306048ELUF	2,247	2,445
	72 x 24 x 47	1800 x 600 x 1195	C_N_-R247248ELUF	2,182	2,376
	60 x 24 x 47	1500 x 600 x 1195	C_N_-R246048ELUF	2,158	2,318

High-Gloss White finish option for drawer fronts and back (W): add \$323.

Packaged in 2 boxes.

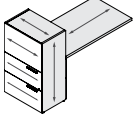
	W x D x H (in)	W x D x H (mm)	Code	All Laminate (\$)	HPL Surfaces (\$)
Return surface and storage module combos - 48" H (cont'd)	<i>Surface with knife edge. 2 box drawers and 1 file drawer with suspension bar. Drawers open at the end of the module. Bookcase above surface. Pencil tray. Lock.</i>				
	72 x 36 x 47 ¹ / ₂	1800 x 900 x 1207	C_N_-R367248ELUF	2,562	2,871
	60 x 36 x 47 ¹ / ₂	1500 x 900 x 1207	C_N_-R366048ELUF	2,498	2,756
	72 x 30 x 47 ¹ / ₂	1800 x 750 x 1207	C_N_-R307248ELUF	2,439	2,697
	60 x 30 x 47 ¹ / ₂	1500 x 750 x 1207	C_N_-R306048ELUF	2,387	2,597
	72 x 24 x 47 ¹ / ₂	1800 x 600 x 1207	C_N_-R247248ELUF	2,318	2,522
	60 x 24 x 47 ¹ / ₂	1500 x 600 x 1207	C_N_-R246048ELUF	2,280	2,445

Specify the surface type (5, 6). Specify the Gloss finish (W, N). Specify accent color (S, W).

	W x D x H (in)	W x D x H (mm)	Code	All Laminate (\$)	HPL Surfaces (\$)
Return surface and storage module combos - 48" H with knife edge 	<i>Surface with knife edge. 2 box drawers and 1 file drawer with suspension bar. Drawers open at the end of the module. Bookcase above surface. Pencil tray. Lock.</i>				
	72 x 36 x 47 ¹ / ₂	1800 x 900 x 1207	C_K_-R367248ELUF	2,751	3,047
	60 x 36 x 47 ¹ / ₂	1500 x 900 x 1207	C_K_-R366048ELUF	2,689	2,933
	72 x 30 x 47 ¹ / ₂	1800 x 750 x 1207	C_K_-R307248ELUF	2,628	2,881
	60 x 30 x 47 ¹ / ₂	1500 x 750 x 1207	C_K_-R306048ELUF	2,574	2,780
	72 x 24 x 47 ¹ / ₂	1800 x 600 x 1207	C_K_-R247248ELUF	2,522	2,713
	60 x 24 x 47 ¹ / ₂	1500 x 600 x 1207	C_K_-R246048ELUF	2,476	2,638

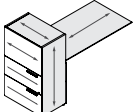
High-Gloss White finish option for drawer fronts and back (W): add \$323.

Packaged in 2 boxes.

	W x D x H (in)	W x D x H (mm)	Code	All Laminate (\$)	HPL Surfaces (\$)
Return surface and storage module combos - 48" H 	<i>2 file drawers with suspension bars. Drawers open at the end of the module. Bookcase above surface. Lock.</i>				
	72 x 36 x 47	1800 x 900 x 1195	C_N_-R367248ELF	2,271	2,569
	60 x 36 x 47	1500 x 900 x 1195	C_N_-R366048ELF	2,234	2,476
	72 x 30 x 47	1800 x 750 x 1195	C_N_-R307248ELF	2,173	2,417
	60 x 30 x 47	1500 x 750 x 1195	C_N_-R306048ELF	2,143	2,340
	72 x 24 x 47	1800 x 600 x 1195	C_N_-R247248ELF	2,074	2,271
	60 x 24 x 47	1500 x 600 x 1195	C_N_-R246048ELF	2,053	2,211

High-Gloss White finish option for drawer fronts and back (W): add \$323.

Packaged in 2 boxes.

	W x D x H (in)	W x D x H (mm)	Code	All Laminate (\$)	HPL Surfaces (\$)
Return surface and storage module combos - 48" H with knife edge 	<i>Surface with knife edge. 2 file drawers with suspension bars. Drawers open at the end of the module. Bookcase above surface. Lock.</i>				
	72 x 36 x 47 ¹ / ₂	1800 x 900 x 1207	C_K_-R367248ELF	2,453	2,756
	60 x 36 x 47 ¹ / ₂	1500 x 900 x 1207	C_N_-R366048ELF	2,393	2,651
	72 x 30 x 47 ¹ / ₂	1800 x 750 x 1207	C_N_-R307248ELF	2,325	2,597
	60 x 30 x 47 ¹ / ₂	1500 x 750 x 1207	C_N_-R306048ELF	2,280	2,493
	72 x 24 x 47 ¹ / ₂	1800 x 600 x 1207	C_N_-R247248ELF	2,211	2,417
	60 x 24 x 47 ¹ / ₂	1500 x 600 x 1207	C_N_-R246048ELF	2,165	2,340

High-Gloss White finish option for drawer fronts and back (W): add \$323.

Packaged in 2 boxes.

	W x D x H (in)	W x D x H (mm)	Code	All Laminate (\$)	HPL Surfaces (\$)
Return surface and storage module combos - 48" H 	<i>Surface with knife edge. 2 file drawers with suspension bars. Drawers open at the end of the module. Bookcase above surface. Lock.</i>				
	72 x 36 x 47 ¹ / ₂	1800 x 900 x 1207	C_K_-R367248ELF	2,644	2,942
	60 x 36 x 47 ¹ / ₂	1500 x 900 x 1207	C_K_-R366048ELF	2,583	2,834
	72 x 30 x 47 ¹ / ₂	1800 x 750 x 1207	C_K_-R307248ELF	2,530	2,774
	60 x 30 x 47 ¹ / ₂	1500 x 750 x 1207	C_K_-R306048ELF	2,476	2,681
	72 x 24 x 47 ¹ / ₂	1800 x 600 x 1207	C_K_-R247248ELF	2,417	2,615
	60 x 24 x 47 ¹ / ₂	1500 x 600 x 1207	C_K_-R246048ELF	2,371	2,538

Specify the surface type (5, 6). Specify the Gloss finish (W, N). Specify accent color (S, W).

	W x D x H (in)	W x D x H (mm)	Code	All Laminate (\$)	HPL Surfaces (\$)
Return surface and storage module combos – 61" H (cont'd)	72 x 36 x 61¼	1800 x 900 x 1557	C_N_-R367261UF_	3,116	3,410
	60 x 36 x 61¼	1500 x 900 x 1557	C_N_-R366061UF_	3,053	3,296
	72 x 30 x 61¼	1800 x 750 x 1557	C_N_-R307261UF_	2,970	3,212
	60 x 30 x 61¼	1500 x 750 x 1557	C_N_-R306061UF_	2,918	3,124
	72 x 24 x 61¼	1800 x 600 x 1557	C_N_-R247261UF_	2,834	3,032
	60 x 24 x 61¼	1500 x 600 x 1557	C_N_-R246061UF_	2,787	2,956

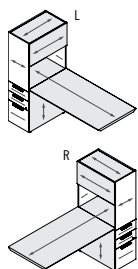
Specify the surface type (5, 6). Specify the Gloss finish (W, N). Specify accent color (S, W). Choose left or right, add L or R at the end of the code.

Return surface and storage module combos – 61" H with knife edge

Surface with knife edge. 2 box drawers and 1 file drawer with suspension bar. Drawers open on the side. Bookcase and lift-up door above surface. Pencil tray. Lock.

	W x D x H (in)	W x D x H (mm)	Code	All Laminate (\$)	HPL Surfaces (\$)
	72 x 36 x 61¼	1800 x 900 x 1557	C_K_-R367261UF_	3,276	3,554
	60 x 36 x 61¼	1500 x 900 x 1557	C_K_-R366061UF_	3,212	3,448
	72 x 30 x 61¼	1800 x 750 x 1557	C_K_-R307261UF_	3,138	3,375
	60 x 30 x 61¼	1500 x 750 x 1557	C_K_-R306061UF_	3,085	3,283
	72 x 24 x 61¼	1800 x 600 x 1557	C_K_-R247261UF_	3,009	3,199
	60 x 24 x 61¼	1500 x 600 x 1557	C_K_-R246061UF_	2,962	3,116

Specify the surface type (5, 6). Specify the Gloss finish (W, N). Specify accent color (S, W). Choose left or right, add L or R at the end of the code.



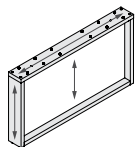
High-Gloss White finish option for drawer fronts and back (W): add \$323.

Packaged in 2 boxes.

NEW YORK double-sided laminate bases

1 end base, goes under double-sided surfaces.

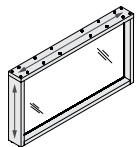
	W x D x H (in)	W x D x H (mm)	Code	All Laminate (\$)	HPL Surfaces (\$)
	60 x 6 x 28	1500 x 150 x 719	CNNNS-CBDM60	1,415	–
	54 x 6 x 28	1350 x 150 x 719	CNNNS-CBDM54	1,397	–



NEW YORK double-sided combined bases

1 end base, goes under double-sided surfaces. Translucent acrylic insert with Silver anodized aluminum frame. 1 tone only.

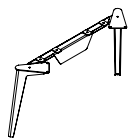
	W x D x H (in)	W x D x H (mm)	Code	All Laminate (\$)	HPL Surfaces (\$)
	60 x 6 x 28	1500 x 150 x 719	CNNNS-CBDT60	2,165	–
	54 x 6 x 28	1350 x 150 x 719	CNNNS-CBDT54	2,134	–



MONTREAL double-sided angled bases

1 end base, goes under double-sided surfaces. Painted steel.

	W x D x H (in)	W x D x H (mm)	Code	All Laminate (\$)	HPL Surfaces (\$)
	60 x 6 x 28	1500 x 150 x 719	CNNN_-ABD60	1,368	–
	54 x 6 x 28	1350 x 150 x 719	CNNN_-ABD54	1,317	–



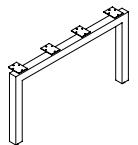
Packaged in 3 boxes.

CHICAGO metal U-shaped double-sided bases

1 end base, goes under double-sided surfaces. Painted steel.

	W x D x H (in)	W x D x H (mm)	Code	All Laminate (\$)	HPL Surfaces (\$)
	60 x 6 x 28	1500 x 150 x 719	CNNN_-QBD60	1,292	–
	54 x 6 x 28	1350 x 150 x 719	CNNN_-QBD54	1,238	–

Specify accent color (S, W).

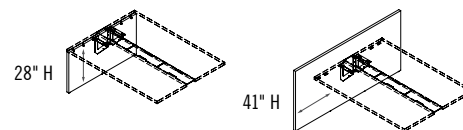


Double-sided end panel bases

Full 1½" (38 mm) thick end panel. Go under double-sided surfaces. Hardware included.

90° base compatible with 60" surfaces.

84" base compatible with 54" surfaces.



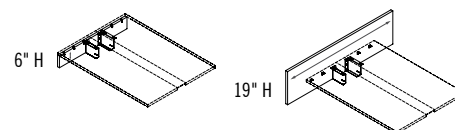
W x D x H (in)	W x D x H (mm)	Code	All Laminate (\$)	HPL Surfaces (\$)
60 x 1½ x 28	1500 x 38 x 719	CNNNS-LED6028	617	–
54 x 1½ x 28	1350 x 38 x 719	CNNNS-LED5428	579	–
90 x 1½ x 41	2250 x 38 x 1042	CNNNS-LED9041	995	–
84 x 1½ x 41	2100 x 38 x 1042	CNNNS-LED8441	926	–

Double-sided end panel bases to stack on low storage module

1½" (38 mm) thick end panel. Go under double-sided surfaces and stack on low storage module. Hardware included.

90° base compatible with 60" surfaces.

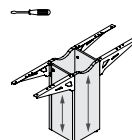
84" base compatible with 54" surfaces.



W x D x H (in)	W x D x H (mm)	Code	All Laminate (\$)	HPL Surfaces (\$)
60 x 1½ x 6¼	1500 x 38 x 158	CNNNS-LED6006	473	–
54 x 1½ x 6¼	1350 x 38 x 158	CNNNS-LED5406	457	–
90 x 1½ x 19	2250 x 38 x 481	CNNNS-LED9019	768	–
84 x 1½ x 19	2100 x 38 x 481	CNNNS-LED8419	729	–

Center base with wire management for double-sided surfaces

Goes under 2 double-sided surfaces. This base allows to connect electric cables to a floor outlet. Includes door with 110° hinges and a locked storage module. Include 2 cantilevers kits. 1 tone only.



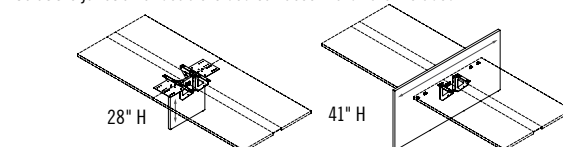
W x D x H (in)	W x D x H (mm)	Code	All Laminate (\$)	HPL Surfaces (\$)
12 x 12 x 28	300 x 300 x 719	CNNNS-LBD1212WM	1,307	–

Center panel bases for double-sided surfaces

Go at the junction of double-sided surfaces. Hardware included.

90° base compatible with 60" surfaces.

84" base compatible with 54" surfaces.



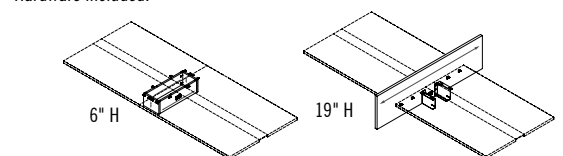
W x D x H (in)	W x D x H (mm)	Code	All Laminate (\$)	HPL Surfaces (\$)
28 x 1½ x 28	690 x 38 x 719	CNNNS-LCD2828	798	–
90 x 1½ x 41	2250 x 38 x 1042	CNNNS-LCD9042	1,329	–
84 x 1½ x 41	2100 x 38 x 1042	CNNNS-LCD8442	1,292	–

Center panel bases for double-sided surfaces to stack on low storage module

Go at the junction of double-sided surfaces. Stack on low storage module. Hardware included.

31" and 90" bases compatible with 60" surfaces.

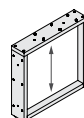
28" and 84" bases compatible with 54" surfaces.



W x D x H (in)	W x D x H (mm)	Code	All Laminate (\$)	HPL Surfaces (\$)
28 x 12 x 6	705 x 305 x 158	CNNNS-LCD2806	837	–
31 x 12 x 6	781 x 305 x 158	CNNNS-LCD3106	850	–
90 x 1½ x 19	2250 x 38 x 481	CNNNS-LCD9019	1,011	–
84 x 1½ x 19	2100 x 38 x 481	CNNNS-LCD8419	981	–

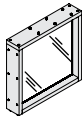
NEW YORK single-sided laminate base

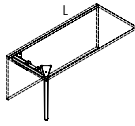
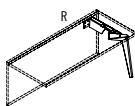
1 end base, goes under single-sided surfaces.




W x D x H (in)	W x D x H (mm)	Code	All Laminate (\$)	HPL Surfaces (\$)
30 x 6 x 28	750 x 150 x 719	CNNNS-CBSM30	1,247	–

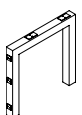


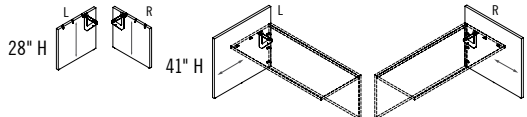
	W x D x H (in)	W x D x H (mm)	Code	All Laminate (\$)	HPL Surfaces (\$)
NEW YORK single-sided combined base	<i>1 end base, goes under single-sided surfaces. Translucent acrylic insert with Silver anodized aluminum frame. 1 tone only.</i>				
	30 x 6 x 28	750 x 150 x 719	CNNS-CBST30	1,658	-

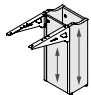
MONTRÉAL single-sided angled metal base	<i>1 end base, goes under single-sided surfaces. Painted steel.</i>				
	30 x 6 x 28	750 x 150 x 719	CNNN-ABS30	1,147	-
	Specify accent color (S, W). Choose left or right, add L or R at the end of the code.				

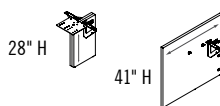
Packaged in 2 boxes.

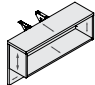
MONTRÉAL angled metal base	<i>Painted steel. Leg only, no beam.</i>				
	6 x 6 x 28	150 x 150 x 719	CNNN-AB	462	-
Specify accent color (S, W).					

Chicago U-shaped single-sided metal base	<i>1 end base. Goes under single-sided surfaces. Painted steel.</i>				
	30 x 6 x 28	750 x 150 x 719	CNNN-QBS30	1,065	-
Specify accent color (S, W).					

Single-sided end panel bases	<i>Full 1 1/2" (38 mm) thick end panel. To be used with single-sided surfaces. Hardware included.</i>				
	28" H	41" H			
	30 x 1 1/2 x 28	750 x 38 x 719	CNNS-LES3028	402	-
	46 x 1 1/2 x 41	1172 x 38 x 1042	CNNS-LES4641	646	-
Choose left or right, add L or R at the end of the code.					

Center base with wire management for single-sided surfaces	<i>To be used at the junction of 2 single-sided surfaces. This base allows the connection of electric cables to a floor outlet. Includes door with 110° hinges and a lockable storage module. 6" (150 mm) recessed bottom. Includes 1 cantilever kit. 1 tone only.</i>				
	12 x 9 x 28	300 x 234 x 719	CNNS-LBS912WM	958	-

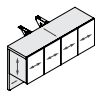
Center panel bases for single-sided surfaces	<i>1 1/2" (38 mm) thick end panel. Go at the junction of single-sided surfaces. Hardware included.</i>				
	28" H	41" H			
	17 x 3 x 28	429 x 76 x 719	CNNS-LCS1728	579	-
	46 x 1 1/2 x 41	1172 x 38 x 1042	CNNS-LCS4641	812	-

	W x D x H (in)	W x D x H (mm)	Code	All Laminate (\$)	HPL Surfaces (\$)
End-base extensions with storage module	<i>To be used with double-sided surfaces. Open bookcase.</i>				
	60 x 15 x 29 7/8	1500 x 375 x 745	C_NNS-EXR602915	1,276	1,382
	54 x 15 x 29 7/8	1350 x 375 x 745	C_NNS-EXR542915	1,238	1,329

Specify the surface type (1, 2).

	60 x 15 x 29 7/8	1500 x 375 x 757	C_NNS-EXR602915	1,354	1,459
	54 x 15 x 29 7/8	1350 x 375 x 757	C_NNS-EXR542915	1,307	1,406

Specify the surface type (5, 6).

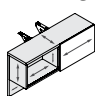
End-base extensions with storage module	<i>To be used with double-sided surfaces. Bookcase with doors.</i>				
	60 x 15 3/4 x 29 7/8	1500 x 393 x 745	C_N_S-EXR602915P	1,891	1,983
	54 x 15 3/4 x 29 7/8	1350 x 393 x 745	C_N_S-EXR542915P	1,822	1,907

High-Gloss White finish option for doors (W): add \$160.

Specify the surface type (1, 2). Specify the Gloss finish (W, N).

	60 x 15 3/4 x 29 7/8	1500 x 393 x 757	C_N_S-EXR602915P	1,945	2,036
	54 x 15 3/4 x 29 7/8	1350 x 393 x 757	C_N_S-EXR542915P	1,869	1,960

Specify the surface type (5, 6). Specify the Gloss finish (W, N).

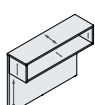
End-base extensions with storage module	<i>To be used with double-sided surfaces. Bookcase with sliding door.</i>				
	60 x 15 3/4 x 29 7/8	1500 x 393 x 745	C_N_S-EXR602915C	1,748	1,854
	54 x 15 3/4 x 29 7/8	1350 x 393 x 745	C_N_S-EXR542915C	1,650	1,738

High-Gloss White finish option for door (W): add \$160.

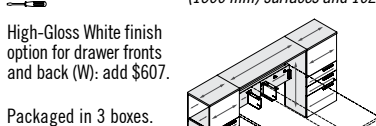
Specify the surface type (1, 2). Specify the Gloss finish (W, N).

	60 x 15 3/4 x 29 7/8	1500 x 393 x 757	C_N_S-EXR602915C	1,802	1,907
	54 x 15 3/4 x 29 7/8	1350 x 393 x 757	C_N_S-EXR542915C	1,692	1,784

Specify the surface type (5, 6). Specify the Gloss finish (W, N).

End-base extensions with storage module - 41" H	<i>To be used with double-sided surfaces. Open bookcase 10" (250 mm).</i>				
	60 x 15 x 41	1500 x 375 x 1042	C_NNS-EXR604115	1,329	1,434
	54 x 15 x 41	1350 x 375 x 1042	C_NNS-EXR544115	1,262	1,354

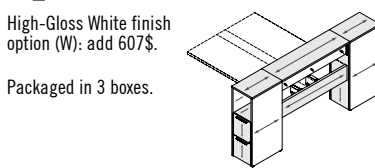
Specify the surface type (1, 2).

Storage end base modules for double-sided surfaces	<i>Storage end base modules. Support double-sided surfaces and divide space. 2 box drawers and 1 file drawer with suspension bar. Drawers open on the side. Bookcase above surface. Pencil trays. Locks. 108"L (2700 mm) compatible with 60"D (1500 mm) surfaces and 102"L (2550 mm) compatible with 54"D (1350 mm).</i>				
					
	108 x 18 x 47 1/2	2700 x 450 x 1207	C_N_-PRET1084818UF	4,816	5,100
	102 x 18 x 47 1/2	2550 x 450 x 1207	C_N_-PRET1024818UF	4,604	4,968

High-Gloss White finish option for drawer fronts and back (W): add \$607.

Packaged in 3 boxes.

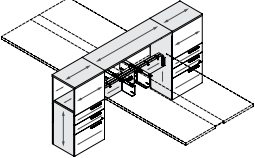
Specify the surface type (1, 2). Specify the Gloss finish (W, N). Specify accent color (S, W).

Storage end base modules for double-sided surfaces	<i>Storage end base modules. Support double-sided surfaces and divide space. 2 file drawers with suspension bars. Drawers open at the end of the module. Bookcase above surface. Locks. 108"L (2700 mm) compatible with 60"D (1500 mm) surfaces and 102"L (2550 mm) compatible with 54"D (1350 mm).</i>				
					
	108 x 16 x 47 1/2	2700 x 409 x 1207	C_N_-PRET1084816EFF	4,489	4,838
	102 x 16 x 47 1/2	2550 x 409 x 1207	C_N_-PRET1024816EFF	4,385	4,711

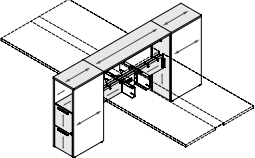
High-Gloss White finish option (W): add 607\$.

Packaged in 3 boxes.

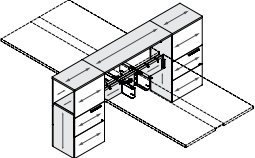
Specify the surface type (1, 2). Specify the Gloss finish (W, N). Specify accent color (S, W).

W x D x H (in)	W x D x H (mm)	Code	All Laminate (\$)	HPL Surfaces (\$)
Storage center base modules for double-sided surfaces				
<i>Go at the junction of double-sided surfaces. 2 box drawers and 1 file drawer with suspension bar. Drawers open on the side. Bookcase above surface. Pencil trays. Locks. 108"L (2700 mm) compatible with 60"D (1500 mm) surfaces and 102"L (2550 mm) compatible with 54"D (1350 mm).</i>				
High-Gloss White finish option for drawer fronts and back (W): add \$607.				
Packaged in 3 boxes.				
				
108 x 18 x 47½	2700 x 450 x 1207	C_N_-PRCT1084818UF	5,081	5,478
102 x 18 x 47½	2550 x 450 x 1207	C_N_-PRCT1024818UF	4,962	5,331

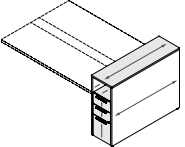
Specify the surface type (1, 2). Specify the Gloss finish (W, N). Specify accent color (S, W).

W x D x H (in)	W x D x H (mm)	Code	All Laminate (\$)	HPL Surfaces (\$)
Storage center base modules for double-sided surfaces				
<i>Go at the junction of double-sided surfaces. 2 file drawers with suspension bars. Drawers open at the end of the module. Bookcase above surface. Locks. 108"L (2700 mm) compatible with 60"D (1500 mm) surfaces and 102"L (2550 mm) compatible with 54"D (1350 mm).</i>				
High-Gloss White finish option (W): add \$607.				
Packaged in 3 boxes.				
				
108 x 16 x 47½	2700 x 409 x 1207	C_N_-PRCT1084816EFF	4,863	5,224
102 x 16 x 47½	2550 x 409 x 1207	C_N_-PRCT1024816EFF	4,739	5,081

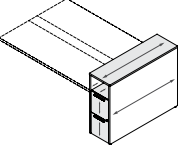
Specify the surface type (1, 2). Specify the Gloss finish (W, N). Specify accent color (S, W).

W x D x H (in)	W x D x H (mm)	Code	All Laminate (\$)	HPL Surfaces (\$)
Storage center base modules for double-sided surfaces				
<i>Go at the junction of double-sided surfaces. 1 file drawer with suspension bar on each side. Drawers open on the sides. Bookcase above surface. Locks. 108"L (2700 mm) compatible with 60"D (1500 mm) surfaces and 102"L (2550 mm) compatible with 54"D (1350 mm).</i>				
High-Gloss White finish option for drawer fronts and back (W): add \$607.				
Packaged in 3 boxes.				
				
108 x 18 x 47½	2700 x 450 x 1207	C_N_-PRCT1084818FM	4,869	5,257
102 x 18 x 47½	2550 x 450 x 1207	C_N_-PRCT1024818FM	4,751	5,113

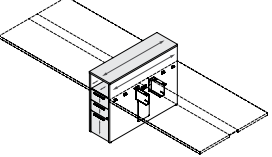
Specify the surface type (1, 2). Specify the Gloss finish (W, N). Specify accent color (S, W).

W x D x H (in)	W x D x H (mm)	Code	All Laminate (\$)	HPL Surfaces (\$)
Pedestal bases for double-sided surfaces				
<i>Support double-sided surfaces and divide space. 2 box drawers and 1 file drawer with suspension bar. Drawers open at the end of the module. Open space. Integrated wire management. Pencil trays. Locks.</i>				
High-Gloss White finish option (W): add \$607.				
				
60 x 16 x 41	1500 x 409 x 1042	C_N_-CRE604116EUF	3,624	3,732
54 x 16 x 41	1350 x 409 x 1042	C_N_-CRE544116EUF	3,533	3,633

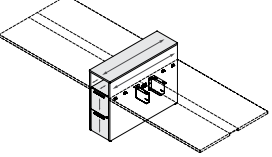
Specify the surface type (1, 2). Specify the Gloss finish (W, N). Specify accent color (S, W).

W x D x H (in)	W x D x H (mm)	Code	All Laminate (\$)	HPL Surfaces (\$)
Pedestal bases for double-sided surfaces				
<i>Support double-sided surfaces and divide space. 2 file drawers with suspension bars. Drawers open at the end of the module. Open space. Integrated wire management. Locks.</i>				
High-Gloss White finish option (W): add \$607.				
				
60 x 16 x 41	1500 x 409 x 1042	C_N_-CRE604116EFF	3,349	3,465
54 x 16 x 41	1350 x 409 x 1042	C_N_-CRE544116EFF	3,276	3,375

Specify the surface type (1, 2). Specify the Gloss finish (W, N). Specify accent color (S, W).

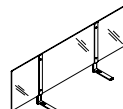
W x D x H (in)	W x D x H (mm)	Code	All Laminate (\$)	HPL Surfaces (\$)
Pedestal bases for double-sided surfaces				
<i>Go at the junction of double-sided and divide space. 2 box drawer and 1 file drawers with suspension bar. Drawers open at the end of the module. Open space. Integrated wire management. Pencil trays. Locks.</i>				
High-Gloss White finish option (W): add \$607.				
				
60 x 16 x 41	1500 x 409 x 1042	C_N_-CRC604116EUF	3,928	4,035
54 x 16 x 41	1350 x 409 x 1042	C_N_-CRC544116EUF	3,836	3,935

Specify the surface type (1, 2). Specify the Gloss finish (W, N). Specify accent color (S, W).

W x D x H (in)	W x D x H (mm)	Code	All Laminate (\$)	HPL Surfaces (\$)
Pedestal bases for double-sided surfaces				
<i>Go at the junction of double-sided and divide space. 2 file drawers with suspension bars. Drawers open at the end of the module. Open space. Integrated wire management. Locks.</i>				
High-Gloss White finish option (W): add \$607.				
				
60 x 16 x 41	1500 x 409 x 1042	C_N_-CRC604116EFF	3,655	3,768
54 x 16 x 41	1350 x 409 x 1042	C_N_-CRC544116EFF	3,572	3,670

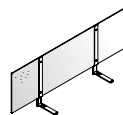
Specify the surface type (1, 2). Specify the Gloss finish (W, N). Specify accent color (S, W).

W x D x H (in)	W x D x H (mm)	Code	All Laminate (\$)	HPL Surfaces (\$)
End of double-sided surface screens – 18" H				
<i>Acrylic screens with metal supports to go at the end of a double-sided surface.</i>				
60 x ¾ x 18	1500 x 6 x 450	CNNN_-SCET6018	1,070	–
54 x ¾ x 18	1350 x 6 x 450	CNNN_-SCET5418	1,023	–



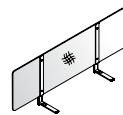
Specify accent color (S, W).

W x D x H (in)	W x D x H (mm)	Code	All Laminate (\$)	HPL Surfaces (\$)
End of double-sided surface screens – 18" H				
<i>Fabric screens with metal supports to go at the end of a double-sided surface. These prices are applicable for United Chair® Grade 1 and 2 fabrics. For other United Chair® grades add: Grade 3: 15%, Grade 4: 20%, Grade 5: 25%, Grade 6: 30%, Grade 8: 35%.</i>				
60 x ¾ x 18	1500 x 19 x 450	CNNN_-SCEF6018	1,132	–
54 x ¾ x 18	1350 x 19 x 450	CNNN_-SCEF5418	1,065	–



Specify accent color (S, W). Specify the fabric code after the product code.

W x D x H (in)	W x D x H (mm)	Code	All Laminate (\$)	HPL Surfaces (\$)
End of double-sided surface screens – 18" H				
<i>Felt screens with metal supports to go at the end of a double-sided surface.</i>				
60 x ½ x 18	1500 x 12 x 450	CNNN_-SCEFF6018	1,070	–
54 x ½ x 18	1350 x 12 x 450	CNNN_-SCEFF5418	1,023	–



Specify accent color (S, W). Specify the felt code after the product code.



	W x D x H (in)	W x D x H (mm)	Code	All Laminate (\$)	HPL Surfaces (\$)
End of single-sided surface screen – 18" H	<i>Acrylic screen with metal supports to go at the end of a single-sided surface.</i>				
	31 x 1/4 x 18	797 x 6 x 450	CNNN_-SCET3118	1,017	–
	Specify accent color (S, W).				



	W x D x H (in)	W x D x H (mm)	Code	All Laminate (\$)	HPL Surfaces (\$)
End of single-sided surface screen – 18" H	<i>Fabric screen with metal supports to go at the end of a single-sided surface. These prices are applicable for United Chair® Grade 1 and 2 fabrics. For other United Chair® grades add: Grade 3: 15%, Grade 4: 20%, Grade 5: 25%, Grade 6: 30%, Grade 8: 35%.</i>				
	31 x 3/4 x 18	797 x 19 x 450	CNNN_-SCEF3118	1,034	–
	Specify accent color (S, W). Specify the fabric code after the product code.				



	W x D x H (in)	W x D x H (mm)	Code	All Laminate (\$)	HPL Surfaces (\$)
End of single-sided surface screen – 18" H	<i>Felt screen with metal supports to go at the end of a double-sided surface.</i>				
	31 x 1/2 x 18	797 x 12 x 450	CNNN_-SCEFF3118	1,017	–
	Specify accent color (S, W). Specify the felt code after the product code.				



	W x D x H (in)	W x D x H (mm)	Code	All Laminate (\$)	HPL Surfaces (\$)
Privacy screens	<i>Acrylic translucent screens supported by metal stabilizer feet in a painted finish. Divide face-to-face individual workspaces</i>				
	48 x 1/4 x 18	1200 x 6 x 450	CNNN_-SCT4818	705	–
	36 x 1/4 x 18	900 x 6 x 450	CNNN_-SCT3618	676	–
	30 x 1/4 x 18	750 x 6 x 450	CNNN_-SCT3018	639	–
	24 x 1/4 x 18	600 x 6 x 450	CNNN_-SCT2418	607	–
	18 x 1/4 x 18	450 x 6 x 450	CNNN_-SCT1818	562	–
	48 x 1/4 x 11	1200 x 6 x 285	CNNN_-SCT4811	622	–
	36 x 1/4 x 11	900 x 6 x 285	CNNN_-SCT3611	592	–
	30 x 1/4 x 11	750 x 6 x 285	CNNN_-SCT3011	546	–
	24 x 1/4 x 11	600 x 6 x 285	CNNN_-SCT2411	517	–
	18 x 1/4 x 11	450 x 6 x 285	CNNN_-SCT1811	479	–
	Specify accent color (S, W).				



	W x D x H (in)	W x D x H (mm)	Code	All Laminate (\$)	HPL Surfaces (\$)
Privacy screens	<i>Fabric screens supported by metal stabilizer feet in a painted finish. Divide face-to-face individual workspaces. These prices are applicable for United Chair® Grade 1 and 2 fabrics. For other United Chair® grades add: Grade 3: 15%, Grade 4: 20%, Grade 5: 25%, Grade 6: 30%, Grade 8: 35%.</i>				
	48 x 3/4 x 18	1200 x 19 x 450	CNNN_-SCF4818	729	–
	36 x 3/4 x 18	900 x 19 x 450	CNNN_-SCF3618	699	–
	30 x 3/4 x 18	750 x 19 x 450	CNNN_-SCF3018	668	–
	24 x 3/4 x 18	600 x 19 x 450	CNNN_-SCF2418	630	–
	18 x 3/4 x 18	450 x 19 x 450	CNNN_-SCF1818	601	–
	48 x 3/4 x 11	1200 x 19 x 285	CNNN_-SCF4811	646	–
	36 x 3/4 x 11	900 x 19 x 285	CNNN_-SCF3611	617	–
	30 x 3/4 x 11	750 x 19 x 285	CNNN_-SCF3011	579	–
	24 x 3/4 x 11	600 x 19 x 285	CNNN_-SCF2411	540	–
	18 x 3/4 x 11	450 x 19 x 285	CNNN_-SCF1811	510	–
	Specify accent color (S, W). Specify the fabric code after the product code.				



	W x D x H (in)	W x D x H (mm)	Code	All Laminate (\$)	HPL Surfaces (\$)
Privacy screens	<i>Felt screens supported by metal stabilizer feet in a painted finish. Divide face-to-face individual workspaces</i>				
	48 x 1/2 x 18	1200 x 12 x 450	CNNN_-SCFF4818	705	–
	36 x 1/2 x 18	900 x 12 x 450	CNNN_-SCFF3618	676	–
	30 x 1/2 x 18	750 x 12 x 450	CNNN_-SCFF3018	639	–
	24 x 1/2 x 18	600 x 12 x 450	CNNN_-SCFF2418	607	–
	18 x 1/2 x 18	450 x 12 x 450	CNNN_-SCFF1818	562	–



	W x D x H (in)	W x D x H (mm)	Code	All Laminate (\$)	HPL Surfaces (\$)
Privacy screens (cont'd)	48 x 1/2 x 11	1200 x 12 x 285	CNNN_-SCFF4811	622	–
	36 x 1/2 x 11	900 x 12 x 285	CNNN_-SCFF3611	592	–
	30 x 1/2 x 11	750 x 12 x 285	CNNN_-SCFF3011	546	–
	24 x 1/2 x 11	600 x 12 x 285	CNNN_-SCFF2411	517	–
	18 x 1/2 x 11	450 x 12 x 285	CNNN_-SCFF1811	479	–
	Specify accent color (S, W). Specify the felt code after the product code.				

	W x D x H (in)	W x D x H (mm)	Code	All Laminate (\$)	HPL Surfaces (\$)
Privacy lateral screens	<i>Acrylic translucent screens supported by metal stabilizer feet and clip in a painted finish. Divide side-to-side individual workspaces.</i>				
	24 x 1/4 x 18	600 x 6 x 450	CNNN_-SCCT2418	630	–
	21 x 1/4 x 18	525 x 6 x 450	CNNN_-SCCT2118	607	–
	18 x 1/4 x 18	450 x 6 x 450	CNNN_-SCCT1818	601	–
	15 x 1/4 x 18	375 x 6 x 450	CNNN_-SCCT1518	586	–
	24 x 1/4 x 11	600 x 6 x 285	CNNN_-SCCT2411	540	–
	21 x 1/4 x 11	525 x 6 x 285	CNNN_-SCCT2111	525	–
	18 x 1/4 x 11	450 x 6 x 285	CNNN_-SCCT1811	510	–
	15 x 1/4 x 11	375 x 6 x 285	CNNN_-SCCT1511	493	–
	Specify accent color (S, W).				



	W x D x H (in)	W x D x H (mm)	Code	All Laminate (\$)	HPL Surfaces (\$)
Privacy lateral screens	<i>Fabric screens supported by metal stabilizer feet and clip in a painted finish. Divide side-to-side individual workspaces. These prices are applicable for United Chair® Grade 1 and 2 fabrics. For other United Chair® grades add: Grade 3: 15%, Grade 4: 20%, Grade 5: 25%, Grade 6: 30%, Grade 8: 35%.</i>				
	24 x 3/4 x 18	600 x 19 x 450	CNNN_-SCCF2418	661	–
	21 x 3/4 x 18	525 x 19 x 450	CNNN_-SCCF2118	639	–
	18 x 3/4 x 18	450 x 19 x 450	CNNN_-SCCF1818	622	–
	15 x 3/4 x 18	375 x 19 x 450	CNNN_-SCCF1518	607	–
	24 x 3/4 x 11	600 x 19 x 285	CNNN_-SCCF2411	562	–
	21 x 3/4 x 11	525 x 19 x 285	CNNN_-SCCF2111	546	–
	18 x 3/4 x 11	450 x 19 x 285	CNNN_-SCCF1811	532	–
	15 x 3/4 x 11	375 x 19 x 285	CNNN_-SCCF1511	517	–
	Specify accent color (S, W). Specify the fabric code after the product code.				



	W x D x H (in)	W x D x H (mm)	Code	All Laminate (\$)	HPL Surfaces (\$)
Privacy lateral screens	<i>Felt screens supported by metal stabilizer feet and clip in a painted finish. Divide side-to-side individual workspaces.</i>				
	24 x 1/2 x 18	600 x 12 x 450	CNNN_-SCCF2418	630	–
	21 x 1/2 x 18	525 x 12 x 450	CNNN_-SCCF2118	607	–
	18 x 1/2 x 18	450 x 12 x 450	CNNN_-SCCF1818	601	–
	15 x 1/2 x 18	375 x 12 x 450	CNNN_-SCCF1518	586	–
	24 x 1/2 x 11	600 x 12 x 285	CNNN_-SCCF2411	540	–
	21 x 1/2 x 11	525 x 12 x 285	CNNN_-SCCF2111	525	–
	18 x 1/2 x 11	450 x 12 x 285	CNNN_-SCCF1811	510	–
	15 x 1/2 x 11	375 x 12 x 285	CNNN_-SCCF1511	493	–
	Specify accent color (S, W). Specify the felt code after the product code.				





	W x D x H (in)	W x D x H (mm)	Code	All Laminate (\$)	HPL Surfaces (\$)
Add-on counters with off-centered back	<i>1" (25 mm) thick melamine, acrylic back. To be used at the end of double-sided surfaces.</i>				
	60 x 15 x 18	1500 x 375 x 450	C_NNS-MCET601815	905	1,023
	54 x 15 x 18	1350 x 375 x 450	C_NNS-MCET541815	874	989
	60 x 12 x 11	1500 x 300 x 285	C_NNS-MCET601112	881	1,004
	54 x 12 x 11	1350 x 300 x 285	C_NNS-MCET541112	859	971
	Specify the surface type (1, 2).				

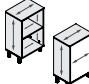
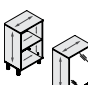


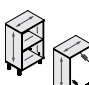
	W x D x H (in)	W x D x H (mm)	Code	All Laminate (\$)	HPL Surfaces (\$)
Add-on counters with centered back	<i>1" (25 mm) thick melamine, acrylic back. To be used on double-sided surfaces to divide space. 1 tone only.</i>				
	60 x 18 x 18	1500 x 450 x 450	C_NNS-MCCT601818	989	1,147
	54 x 18 x 18	1350 x 450 x 450	C_NNS-MCCT541818	958	1,111
	60 x 18 x 11	1500 x 450 x 285	C_NNS-MCCT601118	966	1,124
	54 x 18 x 11	1350 x 450 x 285	C_NNS-MCCT541118	935	1,087
	Specify the surface type (1, 2).				

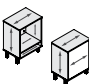




	W x D x H (in)	W x D x H (mm)	Code	All Laminate (\$)	HPL Surfaces (\$)
Double-sided accessory rails 	<i>Silver aluminum finish and laminate ends. Allow accessories utilisation on both sides of a double-sided surface and create visual privacy. (Refer to Lacasse general price book for accessories). 1 tone only.</i>				
	72 x 13 x 11	1800 x 325 x 285	CNNNS-RAD7211	1,329	—
	66 x 13 x 11	1650 x 325 x 285	CNNNS-RAD6611	1,292	—
	60 x 13 x 11	1500 x 325 x 285	CNNNS-RAD6011	1,247	—
	54 x 13 x 11	1350 x 325 x 285	CNNNS-RAD5411	1,215	—
	48 x 13 x 11	1200 x 325 x 285	CNNNS-RAD4811	1,177	—
	42 x 13 x 11	1050 x 325 x 285	CNNNS-RAD4211	1,147	—
	36 x 13 x 11	900 x 325 x 285	CNNNS-RAD3611	1,111	—
	30 x 13 x 11	750 x 325 x 285	CNNNS-RAD3011	1,070	—
	24 x 13 x 11	600 x 325 x 285	CNNNS-RAD2411	1,042	—

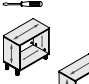
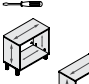
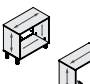
	W x D x H (in)	W x D x H (mm)	Code	All Laminate (\$)	HPL Surfaces (\$)
Single-sided accessory rails 	<i>Silver aluminum finish and laminate ends. Allow accessories utilisation on single-sided surfaces. (Refer to Lacasse general price book for accessories). 1 tone only.</i>				
	72 x 11 x 11	1800 x 285 x 285	CNNNS-RAS7211	971	—
	66 x 11 x 11	1650 x 285 x 285	CNNNS-RAS6611	935	—
	60 x 11 x 11	1500 x 285 x 285	CNNNS-RAS6011	898	—
	54 x 11 x 11	1350 x 285 x 285	CNNNS-RAS5411	859	—
	48 x 11 x 11	1200 x 285 x 285	CNNNS-RAS4811	822	—
	42 x 11 x 11	1050 x 285 x 285	CNNNS-RAS4211	791	—
	36 x 11 x 11	900 x 285 x 285	CNNNS-RAS3611	759	—
	30 x 11 x 11	750 x 285 x 285	CNNNS-RAS3011	716	—
	24 x 11 x 11	600 x 285 x 285	CNNNS-RAS2411	685	—

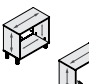
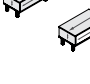
	W x D x H (in)	W x D x H (mm)	Code	All Laminate (\$)	HPL Surfaces (\$)
Surface height bookcases – 30" H 	<i>Laminate back</i>				
	<i>Silver anodized aluminum feet. 1 tone only. 1 fixed shelf. Storage space for 2 binders high.</i>				
	18 x 13 x 30	450 x 325 x 762	CNNNS-EBM3018	850	—
Surface height bookcases – 30" H 	<i>White board on back</i>				
	<i>Silver anodized aluminum feet. 1 tone only. 1 fixed shelf. Storage space for 2 binders high.</i>				
	18 x 13 x 30	450 x 325 x 762	CNNNS-EBW3018	942	—

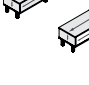
	W x D x H (in)	W x D x H (mm)	Code	All Laminate (\$)	HPL Surfaces (\$)
Surface height bookcases – 30" H 	<i>Translucent insert with Silver anodized aluminum framed. Silver anodized aluminum feet. 1 tone only. 1 fixed shelf. Storage space for 2 binders high.</i>				
	18 x 13 x 30	450 x 325 x 762	CNNNS-EBT3018	1,004	—

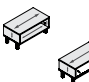
	W x D x H (in)	W x D x H (mm)	Code	All Laminate (\$)	HPL Surfaces (\$)
Surface height bookcases – 24" H 	<i>Laminate back</i>				
	<i>Silver anodized aluminum feet. 1 tone only. Top portion allows 1 high binder storage. Pigeonhole at bottom.</i>				
	18 x 13 x 24	450 x 325 x 610	CNNNS-EBM2418	837	—
Surface height bookcases – 24" H 	<i>White board on back</i>				
	<i>Silver anodized aluminum feet. 1 tone only. Top portion allows 1 high binder storage. Pigeonhole at bottom.</i>				
	18 x 13 x 24	450 x 325 x 610	CNNNS-EBW2418	905	—

	W x D x H (in)	W x D x H (mm)	Code	All Laminate (\$)	HPL Surfaces (\$)
Surface height bookcases – 24" H 	<i>Translucent insert with Silver anodized aluminum framed. Silver anodized aluminum feet. 1 tone only. Top portion allows 1 high binder storage. Pigeonhole at bottom.</i>				
	18 x 13 x 24	450 x 325 x 610	CNNNS-EBT2418	981	—



	W x D x H (in)	W x D x H (mm)	Code	All Laminate (\$)	HPL Surfaces (\$)
Surface height bookcases – 18" H 	<i>Laminate back</i>				
	<i>Silver anodized aluminum feet. 1 tone only</i>				
	30 x 13 x 18	750 x 325 x 450	CNNNS-EBM1830	850	—
	24 x 13 x 18	600 x 325 x 450	CNNNS-EBM1824	837	—
Surface height bookcases – 18" H 	<i>White board on back</i>				
	<i>Silver anodized aluminum feet. 1 tone only.</i>				
	30 x 13 x 18	750 x 325 x 450	CNNNS-EBW1830	942	—
	24 x 13 x 18	600 x 325 x 450	CNNNS-EBW1824	905	—
Surface height bookcases – 18" H 	<i>Translucent insert with Silver anodized aluminum framed. Silver anodized aluminum feet. 1 tone only.</i>				
	30 x 13 x 18	750 x 325 x 450	CNNNS-EBT1830	1,004	—
	24 x 13 x 18	600 x 325 x 450	CNNNS-EBT1824	981	—
	18 x 13 x 18	450 x 325 x 450	CNNNS-EBT1818	966	—



	W x D x H (in)	W x D x H (mm)	Code	All Laminate (\$)	HPL Surfaces (\$)
Surface height bookcases – 18" H 	<i>Laminate back</i>				
	<i>Silver anodized aluminum feet. 1 tone only.</i>				
	30 x 13 x 11	750 x 325 x 285	CNNNS-EBM1130	798	—
	24 x 13 x 11	600 x 325 x 285	CNNNS-EBM1124	780	—
Surface height bookcases – 11" H 	<i>White board on back</i>				
	<i>Silver anodized aluminum feet. 1 tone only.</i>				
	30 x 13 x 11	750 x 325 x 285	CNNNS-EBW1130	889	—
	24 x 13 x 11	600 x 325 x 285	CNNNS-EBW1124	844	—

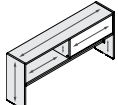
	W x D x H (in)	W x D x H (mm)	Code	All Laminate (\$)	HPL Surfaces (\$)
Surface height bookcases – 11" H 	<i>Translucent insert with Silver anodized aluminum framed. Silver anodized aluminum feet. 1 tone only.</i>				
	30 x 13 x 11	750 x 325 x 285	CNNNS-EBT1130	912	—
	24 x 13 x 11	600 x 325 x 285	CNNNS-EBT1124	898	—
	18 x 13 x 11	450 x 325 x 285	CNNNS-EBT1118	881	—

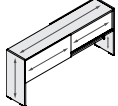
	W x D x H (in)	W x D x H (mm)	Code	All Laminate (\$)	HPL Surfaces (\$)
Surface height bookcases – 11" H 	<i>Translucent insert with Silver anodized aluminum framed. Silver anodized aluminum feet. 1 tone only.</i>				
	30 x 13 x 11	750 x 325 x 285	CNNNS-EBT1130	912	—
	24 x 13 x 11	600 x 325 x 285	CNNNS-EBT1124	898	—
	18 x 13 x 11	450 x 325 x 285	CNNNS-EBT1118	881	—




	W x D x H (in)	W x D x H (mm)	Code	All Laminate (\$)	HPL Surfaces (\$)
Surface height pigeonholes	<i>Laminate back</i>				
	<i>Silver anodized aluminum feet. 1 tone only.</i>				
	30 x 13 x 11	750 x 325 x 285	CNNNS-DVM1130	844	—
	24 x 13 x 11	600 x 325 x 285	CNNNS-DVM1124	822	—
	18 x 13 x 11	450 x 325 x 285	CNNNS-DVM1118	805	—
	<i>White board on back</i>				
	<i>Silver anodized aluminum feet. 1 tone only.</i>				
	30 x 13 x 11	750 x 325 x 285	CNNNS-DVW1130	905	—
	24 x 13 x 11	600 x 325 x 285	CNNNS-DVW1124	874	—
	18 x 13 x 11	450 x 325 x 285	CNNNS-DVW1118	822	—

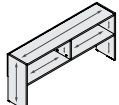
	W x D x H (in)	W x D x H (mm)	Code	All Laminate (\$)	HPL Surfaces (\$)
Surface height pigeonholes	<i>Translucent insert with Silver anodized aluminum framed. Silver anodized aluminum feet. 1 tone only.</i>				
	30 x 13 x 11	750 x 325 x 285	CNNNS-DVT1130	942	—
	24 x 13 x 11	600 x 325 x 285	CNNNS-DVT1124	905	—
	18 x 13 x 11	450 x 325 x 285	CNNNS-DVT1118	874	—

	W x D x H (in)	W x D x H (mm)	Code	All Laminate (\$)	HPL Surfaces (\$)
Open hutches for double-sided surfaces	<i>Clearance: 16 3/4" (425 mm). Open space on each side. Half-height centered acrylic back. Storage module back can receive a tackboard.</i>				
	84 x 14 3/4 x 32	2100 x 364 x 800	CNN_S-EDT843215	2,165	—
	72 x 14 3/4 x 32	1800 x 364 x 800	CNN_S-EDT723215	2,053	—
	60 x 14 3/4 x 32	1500 x 364 x 800	CNN_S-EDT603215	1,953	—
	48 x 14 3/4 x 32	1200 x 364 x 800	CNN_S-EDT483215	1,921	—
	42 x 14 3/4 x 32	1050 x 364 x 800	CNN_S-EDT423215	1,716	—
	<i>Specify the Gloss finish (W, N).</i>				
	High-Gloss White finish option for back (W): add \$242.				

	W x D x H (in)	W x D x H (mm)	Code	All Laminate (\$)	HPL Surfaces (\$)
Sliding doors hutches for double-sided surfaces	<i>Clearance: 16 1/2" (412 mm). 1 sliding door on each side. Half-height centered acrylic back.</i>				
	84 x 16 x 32	2100 x 400 x 800	CNN_S-EDT843216C	2,994	—
	72 x 16 x 32	1800 x 400 x 800	CNN_S-EDT723216C	2,863	—
	60 x 16 x 32	1500 x 400 x 800	CNN_S-EDT603216C	2,756	—
	48 x 16 x 32	1200 x 400 x 800	CNN_S-EDT483216C	2,713	—
	42 x 16 x 32	1050 x 400 x 800	CNN_S-EDT423216C	2,485	—
	<i>Specify the Gloss finish (W, N).</i>				
	High-Gloss White finish option for doors and back (W): add \$242.				

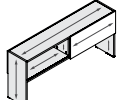
	W x D x H (in)	W x D x H (mm)	Code	All Laminate (\$)	HPL Surfaces (\$)
Laminate dividers for double-sided surfaces	<i>Centered laminate back compatible with a tackboard.</i>				
	84 x 14 3/4 x 32	2100 x 364 x 800	CNN_S-EDS843215	1,087	—
	72 x 14 3/4 x 32	1800 x 364 x 800	CNN_S-EDS723215	1,065	—
	60 x 14 3/4 x 32	1500 x 364 x 800	CNN_S-EDS603215	1,042	—
	48 x 14 3/4 x 32	1200 x 364 x 800	CNN_S-EDS483215	1,023	—
	42 x 14 3/4 x 32	1050 x 364 x 800	CNN_S-EDS423215	981	—
	<i>Specify the Gloss finish (W, N).</i>				
	High-Gloss White finish option for back (W): add \$160.				

High-Gloss White finish option for back (W): add \$160.

	W x D x H (in)	W x D x H (mm)	Code	All Laminate (\$)	HPL Surfaces (\$)
Open hutches for single-sided surfaces	<i>Clearance: 16 3/4" (425 mm). Half-height acrylic back.</i>				
	84 x 15 1/4 x 32	2100 x 380 x 800	CNN_S-EST843215	1,983	—
	72 x 15 1/4 x 32	1800 x 380 x 800	CNN_S-EST723215	1,907	—
	60 x 15 1/4 x 32	1500 x 380 x 800	CNN_S-EST603215	1,847	—
	48 x 15 1/4 x 32	1200 x 380 x 800	CNN_S-EST483215	1,816	—
	42 x 15 1/4 x 32	1050 x 380 x 800	CNN_S-EST423215	1,672	—


High-Gloss White finish option for back (W): add \$160.

Specify the Gloss finish (W, N).

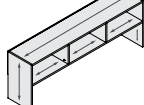
	W x D x H (in)	W x D x H (mm)	Code	All Laminate (\$)	HPL Surfaces (\$)
Sliding door hutches for single-sided surfaces	<i>Clearance: 16 1/2" (412 mm). Half-height acrylic back. 1 sliding door.</i>				
	84 x 16 x 32	2100 x 400 x 800	CNN_S-EST843216C	2,439	—
	72 x 16 x 32	1800 x 400 x 800	CNN_S-EST723216C	2,364	—
	60 x 16 x 32	1500 x 400 x 800	CNN_S-EST603216C	2,300	—
	48 x 16 x 32	1200 x 400 x 800	CNN_S-EST483216C	2,257	—
	42 x 16 x 32	1050 x 400 x 800	CNN_S-EST423216C	2,118	—

High-Gloss White finish option for doors and back (W): add \$242.

Specify the Gloss finish (W, N).

	W x D x H (in)	W x D x H (mm)	Code	All Laminate (\$)	HPL Surfaces (\$)
Laminate dividers for single-sided surface	<i>Back can receive a tackboard.</i>				
	84 x 15 1/4 x 32	2100 x 380 x 800	CNN_S-ESS843215	1,034	—
	72 x 15 1/4 x 32	1800 x 380 x 800	CNN_S-ESS723215	1,004	—
	60 x 15 1/4 x 32	1500 x 380 x 800	CNN_S-ESS603215	989	—
	48 x 15 1/4 x 32	1200 x 380 x 800	CNN_S-ESS483215	971	—
	42 x 15 1/4 x 32	1050 x 380 x 800	CNN_S-ESS423215	918	—
	<i>Specify the Gloss finish (W, N).</i>				

High-Gloss White finish option for back (W): add \$160.

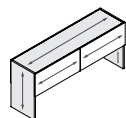
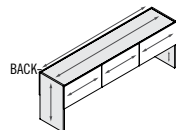
	W x D x H (in)	W x D x H (mm)	Code	All Laminate (\$)	HPL Surfaces (\$)
Open hutches for storage module	<i>Clearance: 16 3/4" (425 mm). Half-height centered acrylic back.</i>				
	90 x 19 1/4 x 32	2250 x 480 x 800	CNN_S-ET903220	1,784	—
	72 x 19 1/4 x 32	1800 x 480 x 800	CNN_S-ET723220	1,559	—
	60 x 19 1/4 x 32	1500 x 480 x 800	CNN_S-ET603220	1,481	—
	48 x 19 1/4 x 32	1200 x 480 x 800	CNN_S-ET483220	1,397	—
	42 x 19 1/4 x 32	1050 x 480 x 800	CNN_S-ET423220	1,322	—

Specify the Gloss finish (W, N).

High-Gloss White finish option for back (W): add \$242.

90": 3 sections
72" to 42": 2 sections

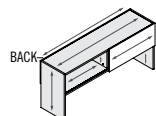
	W x D x H (in)	W x D x H (mm)	Code	All Laminate (\$)	HPL Surfaces (\$)
Hutches with lift-up doors for storage module					
<i>Clearance: 16 1/2" (412 mm). Lift-up doors with soft close. Half-height acrylic back.</i>					
	90 x 20 x 32	2250 x 500 x 800	CNN_S-ET903220V	2,756	—
	72 x 20 x 32	1800 x 500 x 800	CNN_S-ET723220V	2,234	—
	60 x 20 x 32	1500 x 500 x 800	CNN_S-ET603220V	2,134	—
	48 x 20 x 32	1200 x 500 x 800	CNN_S-ET483220V	2,044	—
	42 x 20 x 32	1050 x 500 x 800	CNN_S-ET423220V	1,953	—



High-Gloss White finish option for doors and back (W): add \$323.

90": 3 sections
72" to 42": 2 sections

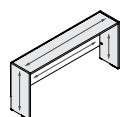
	W x D x H (in)	W x D x H (mm)	Code	All Laminate (\$)	HPL Surfaces (\$)
Sliding door hutches for storage module					
<i>Clearance: 16 1/2" (412 mm). 1 sliding door. Half-height acrylic back.</i>					
	72 x 20 x 32	1800 x 500 x 800	CNN_S-ET723220C	2,493	—
	60 x 20 x 32	1500 x 500 x 800	CNN_S-ET603220C	2,356	—
	48 x 20 x 32	1200 x 500 x 800	CNN_S-ET483220C	2,211	—



High-Gloss White finish option for back (W): add \$242.

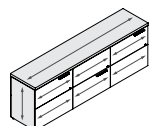
72" to 42": 2 sections

	W x D x H (in)	W x D x H (mm)	Code	All Laminate (\$)	HPL Surfaces (\$)
Laminate dividers for storage module					
<i>Back can receive a tackboard.</i>					
	90 x 19 1/4 x 32	2250 x 480 x 800	CNN_S-ES903220	1,094	—
	72 x 19 1/4 x 32	1800 x 480 x 800	CNN_S-ES723220	1,065	—
	60 x 19 1/4 x 32	1500 x 480 x 800	CNN_S-ES603220	1,042	—
	48 x 19 1/4 x 32	1200 x 480 x 800	CNN_S-ES483220	1,017	—
	42 x 19 1/4 x 32	1050 x 480 x 800	CNN_S-ES423220	971	—



High-Gloss White finish option for back (W): add \$160.

	W x D x H (in)	W x D x H (mm)	Code	All Laminate (\$)	HPL Surfaces (\$)
Shared storage modules, lateral files					
<i>3 file drawers with suspension bars on both sides. Locks.</i>					
	90 x 20 x 29 3/8	2250 x 500 x 745	C_N_-DFM2090MF	4,619	5,144

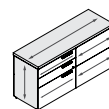


High-Gloss White finish option for drawer fronts and back (W): add \$484.

Packaged in 4 boxes.

Specify the surface type (1, 2). Specify the Gloss finish (W, N). Specify accent color (S, W).					
	90 x 20 x 29 3/8	2250 x 500 x 757	C_N_-DFM2090MF	4,956	5,349
Specify the surface type (5, 6). Specify the Gloss finish (W, N). Specify accent color (S, W).					

	W x D x H (in)	W x D x H (mm)	Code	All Laminate (\$)	HPL Surfaces (\$)
Shared storage modules, box and file drawers					
<i>2 box drawers and 1 file drawer with suspension bar on both sides. Pencil trays. Locks.</i>					
	72 x 20 x 29 3/8	1800 x 500 x 745	C_N_-DLUF2072M	3,403	3,791
	60 x 20 x 29 3/8	1500 x 500 x 745	C_N_-DLUF2060M	3,296	3,655
	48 x 20 x 29 3/8	1200 x 500 x 745	C_N_-DLUF2048M	3,252	3,509



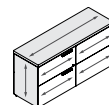
High-Gloss White finish option for drawer fronts and back (W): add \$323.

Specify the surface type (1, 2). Specify the Gloss finish (W, N). Specify accent color (S, W).

	72 x 20 x 29 3/8	1800 x 500 x 757	C_N_-DLUF2072M	3,624	4,323
	60 x 20 x 29 3/8	1500 x 500 x 757	C_N_-DLUF2060M	3,503	4,148
	48 x 20 x 29 3/8	1200 x 500 x 757	C_N_-DLUF2048M	3,396	4,064

Specify the surface type (5, 6). Specify the Gloss finish (W, N). Specify accent color (S, W).

	W x D x H (in)	W x D x H (mm)	Code	All Laminate (\$)	HPL Surfaces (\$)
Shared storage modules, lateral files					
<i>2 file drawers with suspension bars on both sides. Locks.</i>					
	72 x 20 x 29 3/8	1800 x 500 x 745	C_N_-DLF2072M	2,933	3,305
	60 x 20 x 29 3/8	1500 x 500 x 745	C_N_-DLF2060M	2,834	3,166
	48 x 20 x 29 3/8	1200 x 500 x 745	C_N_-DLF2048M	2,735	3,092



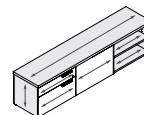
High-Gloss White finish option for drawer fronts and back (W): add \$323.

Specify the surface type (1, 2). Specify the Gloss finish (W, N). Specify accent color (S, W).

	72 x 20 x 29 3/8	1800 x 500 x 757	C_N_-DLF2072M	3,085	3,709
	60 x 20 x 29 3/8	1500 x 500 x 757	C_N_-DLF2060M	3,024	3,616
	48 x 20 x 29 3/8	1200 x 500 x 757	C_N_-DLF2048M	2,956	3,554

Specify the surface type (5, 6). Specify the Gloss finish (W, N). Specify accent color (S, W).

	W x D x H (in)	W x D x H (mm)	Code	All Laminate (\$)	HPL Surfaces (\$)
Shared storage modules, box and file drawers – 21" H					
<i>1 box drawer and 1 file drawer with suspension bar on both sides. 1 open space on each side. Adjustable shelves. Pencil trays. Locks. Can receive 1 or more cushions.</i>					
	90 x 20 x 21	2250 x 500 x 561	C_N_-DUL209021MS	3,138	3,465
	72 x 20 x 21	1800 x 500 x 561	C_N_-DUL207221MS	2,863	3,060



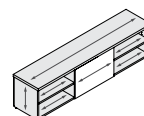
High-Gloss White finish option for drawer fronts and back (W): add \$484.

Specify the surface type (1, 2). Specify the Gloss finish (W, N). Specify accent color (W, S).

	90 x 20 x 21	2250 x 500 x 561	C_N_-DUL209021MS	3,258	3,600
	72 x 20 x 21	1800 x 500 x 561	C_N_-DUL207221MS	2,902	3,230

Specify the surface type (5, 6). Specify the Gloss finish (W, N). Specify accent color (W, S).

	W x D x H (in)	W x D x H (mm)	Code	All Laminate (\$)	HPL Surfaces (\$)
Shared open bookcases – 21" H					
<i>1 open space with back on each side. 1 open space without back. Adjustable shelves. Can receive 1 or more cushions.</i>					
	90 x 20 x 21	2250 x 500 x 561	C_N_N-DS209021MS	1,816	2,096
	72 x 20 x 21	1800 x 500 x 561	C_N_N-DS207221MS	1,650	1,915



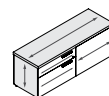
High-Gloss White finish option for fronts (W): add \$242.

Specify the surface type (1, 2). Specify the Gloss finish (W, N).

	90 x 20 x 21	2250 x 500 x 561	C_N_N-DS209021MS	1,945	2,211
	72 x 20 x 21	1800 x 500 x 561	C_N_N-DS207221MS	1,732	2,021

Specify the surface type (5, 6). Specify the Gloss finish (W, N).

	W x D x H (in)	W x D x H (mm)	Code	All Laminate (\$)	HPL Surfaces (\$)
Shared storage modules, box and file drawers – 21" H					
<i>1 box drawer and 1 file drawer with suspension bar on both sides. Pencil trays. Locks. Can receive 1 or more cushions.</i>					
	60 x 20 x 21	1500 x 500 x 561	C_N_-DUL206021M	2,681	2,797
	48 x 20 x 21	1200 x 500 x 561	C_N_-DUL204821M	2,592	2,681



High-Gloss White finish option for drawer fronts and back (W): add \$323.

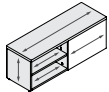
Specify the surface type (1, 2). Specify the Gloss finish (W, N). Specify accent color (W, S).

	60 x 20 x 21	1500 x 500 x 561	C_N_-DUL206021M	2,804	2,970
	48 x 20 x 21	1200 x 500 x 561	C_N_-DUL204821M	2,668	2,834

Specify the surface type (5, 6). Specify the Gloss finish (W, N). Specify accent color (W, S).



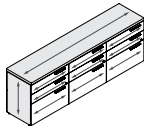
Shared open bookcases – 21" H



High-Gloss White finish option for back (W): add \$242.

W x D x H (in)	W x D x H (mm)	Code	All Laminate (\$)	HPL Surfaces (\$)
<i>1 open space on both sides. Adjustable shelves. Can receive 1 or more cushions.</i>				
60 x 20 x 21	1500 x 500 x 561	C_N_N-DS206021M	1,283	1,586
48 x 20 x 21	1200 x 500 x 561	C_N_N-DS204821M	1,253	1,496
Specify the surface type (1, 2). Specify the Gloss finish (W, N).				
60 x 20 x 21	1500 x 500 x 561	C_N_N-DS206021M	1,375	1,664
48 x 20 x 21	1200 x 500 x 561	C_N_N-DS204821M	1,307	1,566
Specify the surface type (5, 6). Specify the Gloss finish (W, N).				

Lateral box and file storages

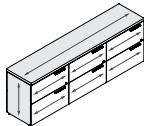


High-Gloss White finish option for drawer fronts and back (W): add \$484.

Packaged in 4 boxes.

W x D x H (in)	W x D x H (mm)	Code	All Laminate (\$)	HPL Surfaces (\$)
<i>6 box drawers and 3 file drawers with suspension bars. Pencil trays. Locks.</i>				
90 x 20 x 29 ³ / ₈	2250 x 500 x 745	C_N_-LUF2090LUF	5,106	5,478
Specify the surface type (1, 2). Specify the Gloss finish (W, N). Specify accent color (W, S).				
90 x 20 x 29 ³ / ₈	2250 x 500 x 757	C_N_-LUF2090LUF	5,372	5,721
Specify the surface type (5, 6). Specify the Gloss finish (W, N). Specify accent color (W, S).				

Lateral file storages

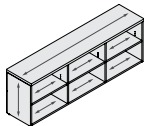


High-Gloss White finish option for drawer fronts and back (W): add \$484.

Packaged in 4 boxes.

W x D x H (in)	W x D x H (mm)	Code	All Laminate (\$)	HPL Surfaces (\$)
<i>6 file drawers with suspension bars. Locks.</i>				
90 x 20 x 29 ³ / ₈	2250 x 500 x 745	C_N_-LF2090LF	4,526	4,874
Specify the surface type (1, 2). Specify the Gloss finish (W, N). Specify accent color (W, S).				
90 x 20 x 29 ³ / ₈	2250 x 500 x 757	C_N_-LF2090LF	4,769	5,113
Specify the surface type (5, 6). Specify the Gloss finish (W, N). Specify accent color (W, S).				

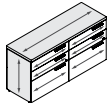
Open bookcase storages



High-Gloss White finish option for back (W): add \$323.

W x D x H (in)	W x D x H (mm)	Code	All Laminate (\$)	HPL Surfaces (\$)
<i>Adjustable shelves.</i>				
90 x 20 x 29 ³ / ₈	2250 x 500 x 745	C_N_N-S2090S	1,816	2,096
72 x 20 x 29 ³ / ₈	1800 x 500 x 745	C_N_N-S2072S	1,459	1,685
60 x 20 x 29 ³ / ₈	1500 x 500 x 745	C_N_N-S2060S	1,382	1,596
48 x 20 x 29 ³ / ₈	1200 x 500 x 745	C_N_N-S2048S	1,307	1 106
Specify the surface type (1, 2). Specify the Gloss finish (W, N).				

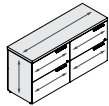
Lateral box and file storages



High-Gloss White finish option for drawer fronts and back (W): add \$323.

W x D x H (in)	W x D x H (mm)	Code	All Laminate (\$)	HPL Surfaces (\$)
<i>4 box drawers and 2 file drawers with suspension bars. Pencil trays. Locks.</i>				
72 x 20 x 29 ³ / ₈	1800 x 500 x 745	C_N_-LUF2072LUF	3,160	3,738
60 x 20 x 29 ³ / ₈	1500 x 500 x 745	C_N_-LUF2060LUF	3,053	3,591
48 x 20 x 29 ³ / ₈	1200 x 500 x 745	C_N_-LUF2048LUF	2,909	3,448
Specify the surface type (1, 2). Specify the Gloss finish (W, N). Specify accent color (W, S).				
72 x 20 x 29 ³ / ₈	1800 x 500 x 757	C_N_-LUF2072LUF	3,330	3,881
60 x 20 x 29 ³ / ₈	1500 x 500 x 757	C_N_-LUF2060LUF	3,204	3,791
48 x 20 x 29 ³ / ₈	1200 x 500 x 757	C_N_-LUF2048LUF	3,039	3,655
Specify the surface type (5, 6). Specify the Gloss finish (W, N). Specify accent color (W, S).				

Lateral file storages



High-Gloss White finish option for drawer fronts and back (W): add \$323.

W x D x H (in)	W x D x H (mm)	Code	All Laminate (\$)	HPL Surfaces (\$)
<i>4 file drawers with suspension bars. Locks.</i>				
72 x 20 x 29 ³ / ₈	1800 x 500 x 745	C_N_-LF2072LF	2,713	3,060
60 x 20 x 29 ³ / ₈	1500 x 500 x 745	C_N_-LF2060LF	2,597	2,918
48 x 20 x 29 ³ / ₈	1200 x 500 x 745	C_N_-LF2048LF	2,476	2,766
Specify the surface type (1, 2). Specify the Gloss finish (W, N). Specify accent color (W, S).				
72 x 20 x 29 ³ / ₈	1800 x 500 x 757	C_N_-LF2072LF	2,979	3,330
60 x 20 x 29 ³ / ₈	1500 x 500 x 757	C_N_-LF2060LF	2,842	3,153
48 x 20 x 29 ³ / ₈	1200 x 500 x 757	C_N_-LF2048LF	2,675	3,204
Specify the surface type (5, 6). Specify the Gloss finish (W, N). Specify accent color (W, S).				

Lateral box and file storages



High-Gloss White finish option for drawer fronts and back (W): add \$242.

W x D x H (in)	W x D x H (mm)	Code	All Laminate (\$)	HPL Surfaces (\$)
<i>2 box drawers and 1 file drawer with suspension bar. Pencil tray. Lock.</i>				
36 x 20 x 29 ³ / ₈	900 x 500 x 745	C_N_-2036LUF	1,725	1,983
Specify the surface type (1, 2). Specify the Gloss finish (W, N). Specify accent color (W, S).				
36 x 20 x 29 ³ / ₈	900 x 500 x 757	C_N_-2036LUF	1,777	2,149
Specify the surface type (5, 6). Specify the Gloss finish (W, N). Specify accent color (W, S).				

Lateral file storages



High-Gloss White finish option for drawer fronts and back (W): add \$242.

W x D x H (in)	W x D x H (mm)	Code	All Laminate (\$)	HPL Surfaces (\$)
<i>2 file drawers with suspension bars. Lock.</i>				
36 x 20 x 29 ³ / ₈	900 x 500 x 745	C_N_-2036LF	1,650	1,876
Specify the surface type (1, 2). Specify the Gloss finish (W, N). Specify accent color (W, S).				
36 x 20 x 29 ³ / ₈	900 x 500 x 757	C_N_-2036LF	1,692	2,027
Specify the surface type (5, 6). Specify the Gloss finish (W, N). Specify accent color (W, S).				

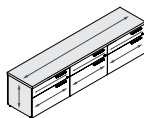
Open bookcase storages



High-Gloss White finish option for back (W): add \$160.

W x D x H (in)	W x D x H (mm)	Code	All Laminate (\$)	HPL Surfaces (\$)
<i>Adjustable shelf.</i>				
36 x 20 x 29 ³ / ₈	900 x 500 x 745	C_N_N-2036S	1,042	1,147
Specify the surface type (1, 2). Specify the Gloss finish (W, N).				
36 x 20 x 29 ³ / ₈	900 x 500 x 757	C_N_N-2036S	1,177	1,415
Specify the surface type (5, 6). Specify the Gloss finish (W, N).				

Lateral box and file storages – 21" H



High-Gloss White finish option for drawer fronts and back (W): add \$484.


W x D x H (in)	W x D x H (mm)	Code	All Laminate (\$)	HPL Surfaces (\$)
<i>3 box drawers and 3 file drawers with suspension bars. Pencil trays. Locks. Can receive 1 or more cushions.</i>				
90 x 20 x 21	2250 x 500 x 561	C_N_-UL209021UL	3,600	3,943
Specify the surface type (1, 2). Specify the Gloss finish (W, N). Specify accent color (W, S).				
90 x 20 x 21	2250 x 500 x 561	C_N_-UL209021UL	3,768	4,124
Specify the surface type (5, 6). Specify the Gloss finish (W, N). Specify accent color (W, S).				


	W x D x H (in)	W x D x H (mm)	Code	All Laminate (\$)	HPL Surfaces (\$)	Price (\$)
Lateral box and file with open space storages – 21" H 	<i>2 box drawers and 2 file drawers with suspension bars. 1 open space with adjustable shelf. Pencil trays. Locks. Can receive 1 or more cushions.</i>					
	90 x 20 x 21	2250 x 500 x 561	C_N_-UL209021ULS	2,947	3,145	
	72 x 20 x 21	1800 x 500 x 561	C_N_-UL207221ULS	2,804	2,956	
	Specify the surface type (1, 2). Specify the Gloss finish (W, N). Specify accent color (W, S). Choose left or right, add L or R at the end of the code.					
	90 x 20 x 21	2250 x 500 x 561	C_N_-UL209021ULS	3,039	3,242	
	72 x 20 x 21	1800 x 500 x 561	C_N_-UL207221ULS	2,871	3,039	
	Specify the surface type (5, 6). Specify the Gloss finish (W, N). Specify accent color (W, S). Choose left or right, add L or R at the end of the code.					
High-Gloss White finish option for drawer fronts and back (W): add \$484.						
Open bookcase storages – 21" H 	<i>Adjustable shelves. Can receive 1 or more cushions.</i>					
	90 x 20 x 21	2250 x 500 x 561	C_N_N-S209021S	1,692	1,902	
	72 x 20 x 21	1800 x 500 x 561	C_N_N-S207221S	1,360	1,520	
	60 x 20 x 21	1500 x 500 x 561	C_N_N-S206021S	1,276	1,415	
	48 x 20 x 21	1200 x 500 x 561	C_N_N-S204821S	1,193	1,299	
	36 x 20 x 21	900 x 500 x 561	C_N_N-S203621S	1,111	1,186	
	Specify the surface type (1, 2). Specify the Gloss finish (W, N).					
	90 x 20 x 21	2250 x 500 x 561	C_N_N-S209021S	1,793	2,007	
	72 x 20 x 21	1800 x 500 x 561	C_N_N-S207221S	1,434	1,604	
	60 x 20 x 21	1500 x 500 x 561	C_N_N-S206021S	1,335	1,481	
	48 x 20 x 21	1200 x 500 x 561	C_N_N-S204821S	1,247	1,360	
	36 x 20 x 21	900 x 500 x 561	C_N_N-S203621S	1,147	1,229	
	Specify the surface type (5, 6). Specify the Gloss finish (W, N).					
High-Gloss White finish option for back (W): add \$242.						
Lateral box and file storages – 21" H 	<i>2 box drawers and 2 file drawers with suspension bars. Pencil trays. Locks. Can receive 1 or more cushions.</i>					
	60 x 20 x 22	1500 x 500 x 561	C_N_-UL206021UL	2,597	2,826	
	48 x 20 x 22	1200 x 500 x 561	C_N_-UL204821UL	2,485	2,681	
	Specify the surface type (1, 2). Specify the Gloss finish (W, N). Specify accent color (W, S).					
	60 x 20 x 22	1500 x 500 x 561	C_N_-UL206021UL	2,704	2,947	
	48 x 20 x 22	1200 x 500 x 561	C_N_-UL204821UL	2,574	2,787	
	Specify the surface type (5, 6). Specify the Gloss finish (W, N). Specify accent color (W, S).					
High-Gloss White finish option for drawer fronts and back (W): add \$323.						
Lateral box and file with open space storages – 21" H 	<i>1 box drawer and 1 file drawer with suspension bar. 1 open space with adjustable shelf. Pencil tray. Lock. Can receive 1 or more cushions.</i>					
	60 x 20 x 21	1500 x 500 x 561	C_N_-UL206021S	1,936	2,158	
	48 x 20 x 21	1200 x 500 x 561	C_N_-UL204821S	1,830	2,013	
	Specify the surface type (1, 2). Specify the Gloss finish (W, N). Specify accent color (S, W). Choose left or right, add L or R at the end of the code.					
	60 x 20 x 21	1500 x 500 x 561	C_N_-UL206021S	2,044	2,271	
	48 x 20 x 21	1200 x 500 x 561	C_N_-UL204821S	1,921	2,112	
	Specify the surface type (5, 6). Specify the Gloss finish (W, N). Specify accent color (S, W). Choose left or right, add L or R at the end of the code.					
High-Gloss White finish option for drawer fronts and back (W): add \$242.						
Mobile pedestal – 20" H 	<i>1 box drawer, 1 file drawer with suspension bar. Pencil tray. Lock. Brakes on front casters. Fits under a work surface. Can accommodate 1 cushion.</i>					
	15 x 18 x 20	388 x 450 x 508	CNN_-MP1518F	1,368		
	Specify the Gloss finish (W, N). Specify accent color (W, S).					
High-Gloss White finish option for drawer fronts (W): add \$81.						

ELECTRIFICATION


	Code	Price (\$)
Electrical table kit 	<i>4 duplex receptacles with cables. Black. Compatible with surfaces 96"/84"/72" W. (2400 mm/2100 mm/1828 mm).</i>	
	LGC-4TRAC496C	646
	Specify circuit number at the end of the code (1, 2).	
Electrical table kit 	<i>2 duplex receptacles with cable. Black. Compatible with surfaces 96"/84" W. (2400 mm/1800 mm).</i>	
	LGC-4TRAC296C	381
	Specify circuit number at the end of the code (1, 2).	
Electrical table kit 	<i>2 duplex receptacles with cable. Black. Compatible with surfaces 72" W. (1828 mm).</i>	
	LGC-4TRAC272C	364
	Specify circuit number at the end of the code (1, 2).	
Electrical table kit 	<i>2 duplex receptacles with cable. Black. Compatible with surfaces 60"/48" W. (1524 mm/1200 mm).</i>	
	LGC-4TRAC260C	349
	Specify circuit number at the end of the code (1, 2).	
Pass cables 	<i>Connects 2 adjacent surfaces.</i>	
	LGC-PASS54	219
	LGC-PASS36	193
Electrical floor feed 	<i>72" (1828 mm) cable or 60" (1524 mm) cable. Must be installed by an electrician.</i>	
	LGC-FFEE72	316
	LGC-FFEE60	312
Power source from the floor to the central wire management raceway 	<i>23" (569 mm) tall aluminum post, silver. 72" (1828 mm) long cable. Screws and supports included. Must be installed by an electrician.</i>	
	CNNNS-FFEE23	540
	<i>23" (569 mm) tall aluminum post, Silver.</i>	
	CNNNS-CEV23	355
Electrical ceiling feed 	<i>120" (3000 mm) tall aluminum post, Silver. 132" (3353 mm) long cable. Screws and supports included. Must be installed by an electrician.</i>	
	CNNNS-CFEED120	774
	<i>120" (3000 mm) tall aluminum post, Silver.</i>	
	CNNNS-POLE120	605
Packaged in 2 boxes.		
Communication plate 	<i>Communication plate for single-sided or double-sided surfaces. Silver finish. Adaptors included.</i>	
	LGC-COM	59



	W x D x H (in)	W x D x H (mm)	Code	Price (\$)
Surface electrical module	<i>4 power outlets and 4 charging USB. Must be installed on a surface with wire management raceway. Plugs into a wall outlet or into the CITE electrical system. Cable length of 9' (2740 mm).</i>			
	24 x 6 x 1/4	600 x 160 x 6	CNNN_DELECT	1,200
Specify accent color (S, W).				

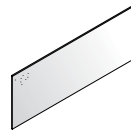
	<i>Compatible with return surfaces.</i>			
	W x D x H (in)	W x D x H (mm)	Code	Price (\$)
Modular modesty panels	<i>Compatible with return surfaces.</i>			
	54 x 3/8 x 14	1350 x 16 x 350	CNN_S-MOD1454	780
	42 x 3/8 x 14	1050 x 16 x 350	CNN_S-MOD1442	661
	30 x 3/8 x 14	750 x 16 x 350	CNN_S-MOD1430	532
Specify the Gloss finish (W, N).				

High-Gloss White finish option (W); add \$81.

	<i>2" (51 mm) foam. Install on low storage modules or mobile pedestals with velcro. These prices are applicable for United Chair® Grade 1 and 2 fabrics. For other United Chair® grades add: Grade 3: 15%, Grade 4: 20%, Grade 5: 25%, Grade 6: 30%, Grade 8: 35%.</i>			
	W x D x H (in)	W x D x H (mm)	Code	Price (\$)
Cushions for storage modules and pedestal	<i>2" (51 mm) foam. Install on low storage modules or mobile pedestals with velcro. These prices are applicable for United Chair® Grade 1 and 2 fabrics. For other United Chair® grades add: Grade 3: 15%, Grade 4: 20%, Grade 5: 25%, Grade 6: 30%, Grade 8: 35%.</i>			
	36 x 20 x 1 3/8	900 x 500 x 35	CNNNN-CU2036	622
	30 x 20 x 1 3/8	750 x 500 x 35	CNNNN-CU2030	562
	24 x 20 x 1 3/8	600 x 500 x 35	CNNNN-CU2024	493
	15 x 18 x 1 3/8	388 x 450 x 35	CNNNN-CU1518	355

All United Chair® standard fabrics (except vinyls and leathers) are available to coordinate on tackboard.

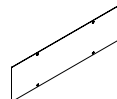
Tackboards



All United Chair® standard fabrics (except vinyls and leathers) are available to coordinate on tackboard.

	W x D x H (in)	W x D x H (mm)	Code	Price (\$)
<i>Mount to surface height bookcases, pigeonholes back panel and hutches. These prices are applicable for United Chair® Grade 1 and 2 fabrics. For other United Chair® grades add: Grade 3: 15%, Grade 4: 20%, Grade 5: 25%, Grade 6: 30%, Grade 8: 35%.</i>				
Tackboards for hutches				
	88 x 1/2 x 22	2200 x 13 x 548	CNNNN-TK8822	630
	82 x 1/2 x 22	2050 x 13 x 548	CNNNN-TK8222	607
	70 x 1/2 x 22	1750 x 13 x 548	CNNNN-TK7022	579
	58 x 1/2 x 22	1450 x 13 x 548	CNNNN-TK5822	525
	46 x 1/2 x 22	1150 x 13 x 548	CNNNN-TK4622	493
	40 x 1/2 x 22	1000 x 13 x 548	CNNNN-TK4022	486
	40 x 1/2 x 12 1/2	1005 x 13 x 317	CNNNN-TK4012	425
	34 x 1/2 x 12 1/2	855 x 13 x 317	CNNNN-TK3412	388
	28 x 1/2 x 12 1/2	705 x 13 x 317	CNNNN-TK2812	349
	22 x 1/2 x 12 1/2	555 x 13 x 317	CNNNN-TK2212	336
	19 x 1/2 x 12 1/2	480 x 13 x 317	CNNNN-TK1912	312
Tackboards for surface bookcases and pigeonholes				
	16 x 1/2 x 25	408 x 13 x 611	CNNNN-TK1625	441
	16 x 1/2 x 19	408 x 13 x 467	CNNNN-TK1619	355
	16 x 1/2 x 13	408 x 13 x 340	CNNNN-TK1613	402
	22 x 1/2 x 13	558 x 13 x 340	CNNNN-TK2213	410
	28 x 1/2 x 13	708 x 13 x 340	CNNNN-TK2813	417
	16 x 1/2 x 5 3/4	408 x 13 x 147	CNNNN-TK1606	364
	22 x 1/2 x 5 3/4	558 x 13 x 147	CNNNN-TK2206	373
	28 x 1/2 x 5 3/4	708 x 13 x 147	CNNNN-TK2806	381

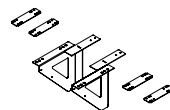
Metal back for surface screens



	<i>Compatible with felt screens for end of surface. Convert a felt screen to be tackable.</i>			
	W x D x H (in)	W x D x H (mm)	Code	Price (\$)
	56 3/4 x 8 1/2 x 19	1442 x 216 x 482	CNNN_METK6018	327
	50 1/8 x 8 1/2 x 19	1292 x 216 x 482	CNNN_METK5418	312
	29 1/8 x 8 1/2 x 19	740 x 216 x 482	CNNN_METK3018	297

Specify accent color (S, W).

Hardware kit surface to storage module



	<i>Allow connection between surfaces (double, extension) and a 29" H (757 mm) storage module.</i>			
	W x D x H (in)	W x D x H (mm)	Code	Price (\$)
	4 x 15 1/8 x 10 1/4	100 x 385 x 262	CNNNS_SURFCON	364

Heavy duty flush plates



	<i>4 plates included. Silver paint finish.</i>			
	Code	Price (\$)		
	CNNNS-HDFP	111		