

Office Doctor Discount Office Furniture

www.OfficeDr.com 856-368-9085

**Lacasse Office Furniture Products are
On Sale for 50% OFF**

Take Half Off the List Prices in this PDF

To Order Call 856-368-9085 Now

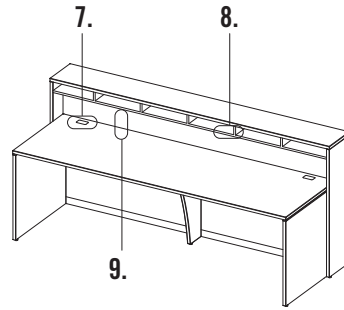
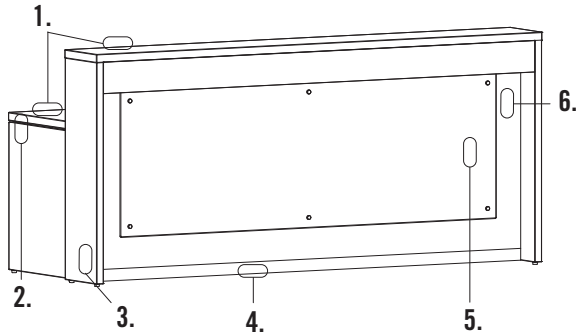
OfficeDr.com/Lacasse-Office-Furniture.html

RECEPTION Furniture



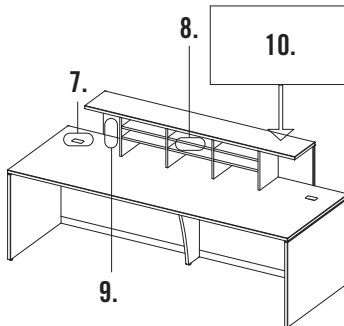
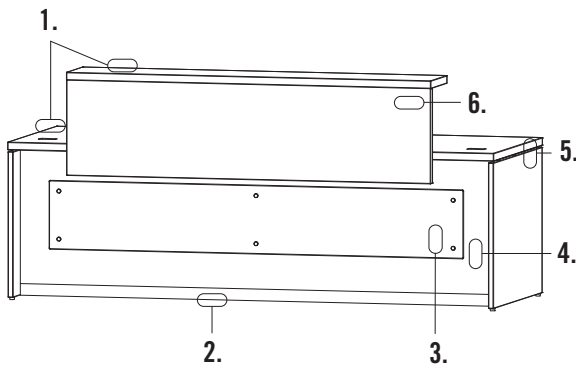
GENERAL CHARACTERISTICS

STYLE MORPHEO, 43" H



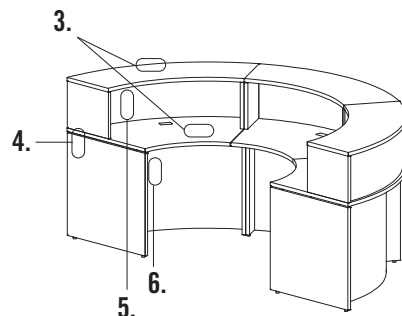
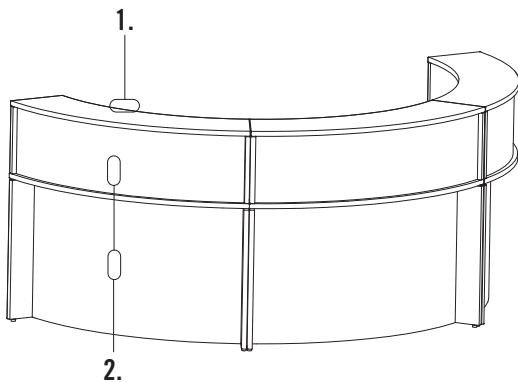
1. Thermofused or high-pressure laminate surfaces, 1" (25 mm) or 1½" (38 mm) thick.
2. Aluminum spacers.
3. Panel, 1" (25 mm) or 1½" (38 mm) thick.
4. Anodized aluminum kickplate (optional).
5. Front acrylic panel option: T Translucent or X Matrix (optional).
6. Recessed modesty panel. Available space to accommodate a lighting unit: 4½" (115 mm) deep, 2½" (64 mm) high. Lighting unit sold separately (LGC-LED_ _).
7. 2 grommets at both ends.
8. Pigeonholes accommodate legal size documents.
9. Clearance under shelf: 9½" (233 mm) under a 1" (25 mm) shelf, 8⅞" (220 mm) under a 1½" (38 mm) shelf. Space can accommodate a LGC-TK4809H tackboard.

STYLE MORPHEO, 29" H

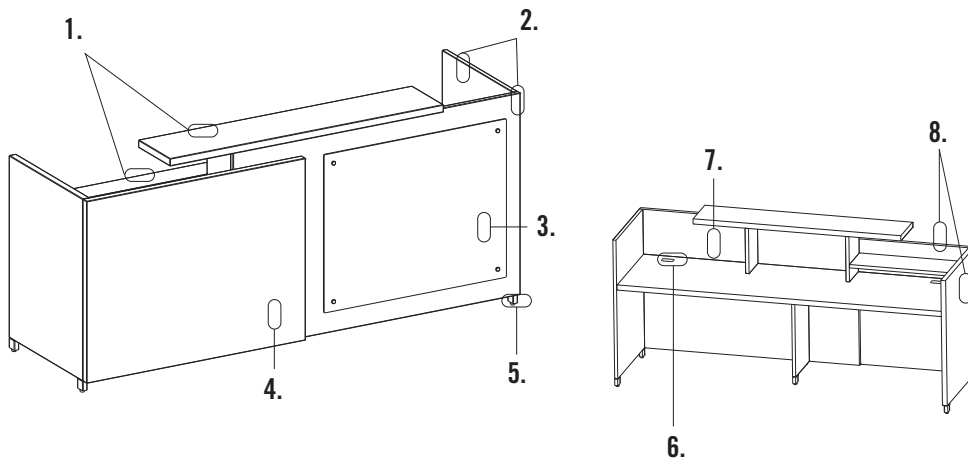


1. Thermofused or high-pressure laminate surfaces, 1" (25 mm) or 1½" (38 mm) thick.
2. Anodized aluminum kickplate (optional).
3. Front acrylic panel option: T Translucent or X Matrix (optional).
4. Recessed modesty panel. Available space to accommodate a lighting unit: 5¼" (134 mm) deep. Lighting unit sold separately (LGC-LED_ _).
5. Aluminum spacers.
6. Panel, 1" (25 mm) or 1½" (38 mm) thick.
7. 2 grommets at both ends.
8. Modular countertop has pigeonholes to accommodate legal size documents.
9. Clearance under shelf: 12½" (318 mm) under a 1" (25 mm) shelf, 12" (306 mm) under a 1½" (38 mm) shelf.
10. Ability to convert a standard rectangular desk into a reception station by adding a modular countertop.

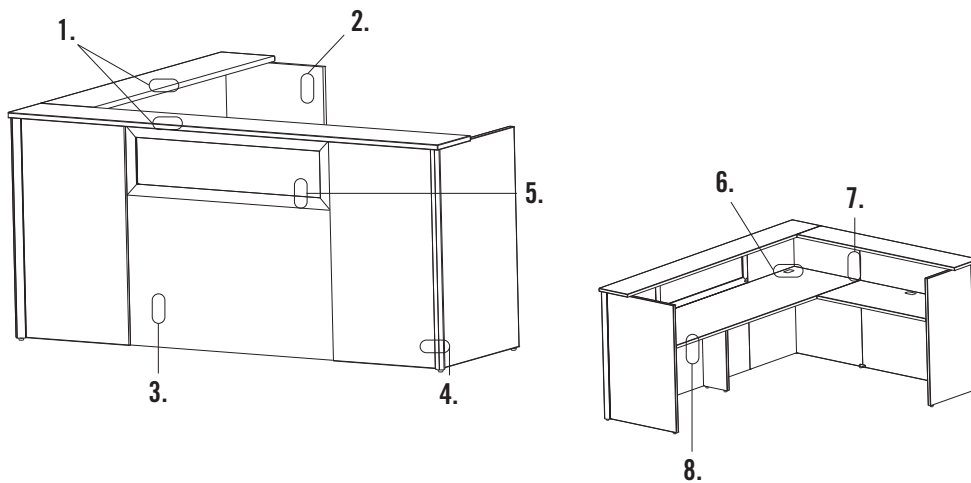
STYLE MORPHEO, 60° ET 90°



1. Modular countertops.
2. High-pressure laminate recessed front and modesty panel.
3. Thermofused or high-pressure laminate surfaces, 1" (25 mm) or 1½" (38 mm) thick.
4. Aluminum spacers.
5. Clearance under shelf: 12½" (318 mm).
6. Can accommodate a suspended pedestal MNN_-F or 18" (448 mm) deep modular pedestals (sold separately).

STYLE QUAD


1. Thermofused or high-pressure laminate surfaces, 1½" (38 mm) thick.
2. Panels, 1" (25 mm) thick.
3. Front acrylic panel (optional).
4. 1½" (38 mm) thick panel juxtaposed on a 1" (25 mm) thick panel.
5. Metal legs in accent color Silver (S) or Anthracite Grey (A).
6. 2 grommets at both ends.
7. Clearance under shelf: 12¼" (311 mm).
8. Panels, 1½" (38 mm) thick.
9. Reception returns available to match with desks.

STYLE CONCEPT 3


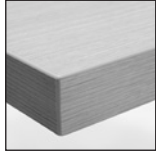
1. Thermofused laminate surfaces, 1" (25 mm).
2. Reversible return shell (sold separately) accommodates a C3-UF18 modular pedestal (sold separately).
3. ⅝" (16 mm) panel between two 1" (25 mm) panels.
4. Anodized aluminum legs.
5. Anodized aluminum frame with translucent acrylic insert.
6. 2 grommets at both ends.
7. Clearance under shelf: 12½" (318 mm).
8. Desk accommodates C3-FF24 or C3-UF24 modular pedestals (sold separately).



EDGEBANDING

Furniture with 1" and 1½" (25 and 38 mm) thick tops.

N Edge

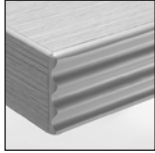


Smooth, 1/16" (1,5 mm) thick edge.

The N edge is matched with the finish specified for the surface.

Furniture with 1½" (38 mm) thick tops.

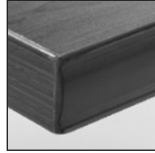
Textured 1 Edge



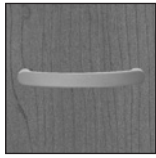
Textured, 1/8" (3 mm) thick edge.

The textured 1 and 2 edges are available (and in matching color) ONLY when a ATH, BUC, CCL, CER, DCH, ERH, HRG, HZN, RAS, SAH or TOM wood grain finish is specified for the surface.

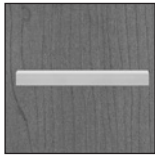
Textured 2 Edge



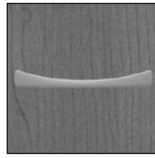
HANDLES



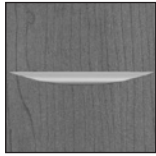
A – Arcade



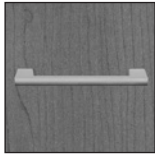
C – Cubic



K – Classic

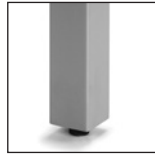


W – Waterfall



Z – Straight

LEGS



Q – Square



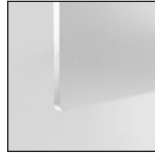
V – Round

ALUMINUM KICKPLATE

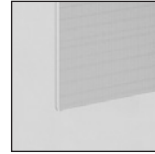


M – Anodized Aluminum

MODESTY PANELS / DOOR INSERTS



T – Translucent



X – Matrix

ACCENT COLORS



S – Silver



A – Anthracite Grey

Exception: Furniture with aluminum doors or kickplate are available in Silver anodized aluminum only.

CODIFICATION

Series	Options			
	Thickness	Edgebanding	Handles / Legs	Accent color
M	1 Thermofused laminate 1"	N Smooth edge	A Arcade C Cubic K Classic W Waterfall Z Straight	A Anthracite Grey S Silver
	2 High-pressure laminate 1"			
	5 Thermofused laminate 1½"	2 Textured edge		
	6 High-pressure laminate 1½"			

W x D x H (in)	W x D x H (mm)	Code	All Laminate (\$)	HPL Surfaces (\$)
Reception desks with transaction countertop, 43" H				
<i>Transaction countertop with pigeonholes. Full-height modesty panel. Can accommodate 1 or 2 pedestals. 2 grommets on the work surface and 2 wiring accesses allowing the passage of electrical cables for a lighting unit on the front of the modesty panel. Lighting sold separately (LGC-LED_).</i>				
96 x 36 x 42¾	2400 x 900 x 1087	M_NN_-GS369643S	3,137	3,774
84 x 36 x 42¾	2100 x 900 x 1087	M_NN_-GS368443S	2,988	3,580
72 x 36 x 42¾	1800 x 900 x 1087	M_NN_-GS367243S	2,843	3,416
1" (25 mm) surfaces: Clearance of 9 1/8" (233 mm) under the countertop. Specify the surface type (1, 2). Edge N. Specify the accent color (A, S).				
97 x 36 x 43 9/16	2425 x 900 x 1100	M__N_-GS369743S	3,448	4,146
85 x 36 x 43 9/16	2125 x 900 x 1100	M__N_-GS368543S	3,276	3,943
73 x 36 x 43 9/16	1825 x 900 x 1100	M__N_-GS367343S	3,123	3,744
1½" (38 mm) surfaces: Clearance of 8 5/8" (220 mm) under the countertop. Specify the surface type (5, 6). Specify the edge (N, 1, 2). Specify the accent color (A, S).				

96": 6 pigeonholes.
84": 5 pigeonholes.
72": 4 pigeonholes.

Aluminum kickplate option: specify S at the accent option, M at the end of the code and add \$233. Ex.: M__NS-GC489743M.

Packaged in 2 boxes.

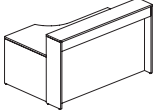
W x D x H (in)	W x D x H (mm)	Code	All Laminate (\$)	HPL Surfaces (\$)
Right extended corner reception desks, 43" H				
<i>Transaction countertop with pigeonholes. Full-height modesty panel. Extended work surface can accommodate a 24" D (600 mm) return unit on left, and 1 or 2 pedestals underneath. 2 grommets on the work surface and 2 wiring accesses allowing the passage of electrical cables for a lighting unit on the front of the modesty panel. Lighting sold separately (LGC-LED_).</i>				
96 x 48 x 42¾	2400 x 1200 x 1087	M_NN_-GC489643	3,635	4,352
84 x 48 x 42¾	2100 x 1200 x 1087	M_NN_-GC488443	3,448	4,146
72 x 48 x 42¾	1800 x 1200 x 1087	M_NN_-GC487243	3,276	3,943
1" (25 mm) surfaces: Clearance of 9 1/8" (233 mm) under the countertop. Specify the surface type (1, 2). Edge N. Specify the accent color (A, S).				
97 x 48 x 43 9/16	2425 x 1200 x 1100	M__N_-GC489743	3,990	4,788
85 x 48 x 43 9/16	2125 x 1200 x 1100	M__N_-GC488543	3,798	4,565
73 x 48 x 43 9/16	1825 x 1200 x 1100	M__N_-GC487343	3,602	4,324
1½" (38 mm) surfaces: Clearance of 8 5/8" (220 mm) under the countertop. Specify the surface type (5, 6). Specify the edge (N, 1, 2). Specify the accent color (A, S).				

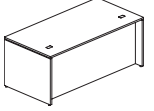
96": 6 pigeonholes.
84": 5 pigeonholes.
72": 4 pigeonholes.

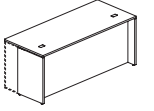
Aluminum kickplate option: specify S at the accent option, M at the end of the code and add \$233. Ex.: M__NS-GC489743M.

Packaged in 3 boxes.

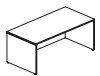


W x D x H (in)	W x D x H (mm)	Code	All Laminate (\$)	HPL Surfaces (\$)
Left extended corner reception desks, 43" H				
				
<i>Transaction countertop with pigeonholes. Full-height modesty panel. Extended work surface can accommodate a 24" D (600 mm) return unit on right, and 1 or 2 pedestals underneath. 2 grommets on the work surface and 2 wiring accesses allowing the passage of electrical cables for a lighting unit on the front of the modesty panel. Lighting sold separately (LGC-LED__).</i>				
96 x 48 x 42 ³ / ₄	2400 x 1200 x 1087	M_NN_-GC964843	3,635	4,352
84 x 48 x 42 ³ / ₄	2100 x 1200 x 1087	M_NN_-GC844843	3,448	4,146
72 x 48 x 42 ³ / ₄	1800 x 1200 x 1087	M_NN_-GC724843	3,276	3,943
1" (25 mm) surfaces: Clearance of 9 ¹ / ₈ " (233 mm) under the countertop. Specify the surface type (1, 2). Edge N. Specify the accent color (A, S).				
97 x 48 x 43 ⁵ / ₁₆	2425 x 1200 x 1100	M_N_-GC974843	3,990	4,788
85 x 48 x 43 ⁵ / ₁₆	2125 x 1200 x 1100	M_N_-GC854843	3,798	4,565
73 x 48 x 43 ⁵ / ₁₆	1825 x 1200 x 1100	M_N_-GC734843	3,602	4,324
1 ¹ / ₂ " (38 mm) surfaces: Clearance of 8 ⁵ / ₈ " (220 mm) under the countertop. Specify the surface type (5, 6). Specify the edge (N, 1, 2). Specify the accent color (A, S).				
96": 6 pigeonholes. 84": 5 pigeonholes. 72": 4 pigeonholes.				
Aluminum kickplate option: specify S at the accent option, M at the end of the code and add \$233. Ex.: M__NS-GC489743M.				
Packaged in 3 boxes.				

W x D x H (in)	W x D x H (mm)	Code	All Laminate (\$)	HPL Surfaces (\$)
Rectangular desks, 36" D				
				
<i>Recessed, full-height modesty panel. Can accommodate 1 or 2 pedestals. 2 grommets.</i>				
96 x 36 x 29 ³ / ₈	2400 x 900 x 744	M_NN_-GS3696S	1,433	1,712
84 x 36 x 29 ³ / ₈	2100 x 900 x 744	M_NN_-GS3684S	1,357	1,637
72 x 36 x 29 ³ / ₈	1800 x 900 x 744	M_NN_-GS3672S	1,293	1,559
Specify the surface type (1, 2). Edge N. Specify the accent color (A, S).				
96 x 36 x 29 ³ / ₈	2400 x 900 x 757	M_N_-GS3696S	1,572	1,884
84 x 36 x 29 ³ / ₈	2100 x 900 x 757	M_N_-GS3684S	1,497	1,797
72 x 36 x 29 ³ / ₈	1800 x 900 x 757	M_N_-GS3672S	1,433	1,712
Specify the surface type (5, 6). Specify the edge (N, 1, 2). Specify the accent color (A, S).				

W x D x H (in)	W x D x H (mm)	Code	All Laminate (\$)	HPL Surfaces (\$)
Rectangular desks, 30" D				
				
<i>Recessed, full-height modesty panel. Can accommodate 1 or 2 pedestals. 2 grommets.</i>				
72 x 30 x 29 ³ / ₈	1800 x 750 x 744	M_NN_-GS3072S	1,215	1,460
60 x 30 x 29 ³ / ₈	1500 x 750 x 744	M_NN_-GS3060S	1,155	1,379
48 x 30 x 29 ³ / ₈	1200 x 750 x 744	M_NN_-GS3048S	1,094	1,326
36 x 30 x 29 ³ / ₈	900 x 750 x 744	M_NN_-GS3036S	1,046	1,266
Specify the surface type (1, 2). Edge N. Specify the accent color (A, S). Specify leg panel choice at the end of the code (A, B, C).				
72 x 30 x 29 ³ / ₈	1800 x 750 x 757	M_N_-GS3072S	1,331	1,596
60 x 30 x 29 ³ / ₈	1500 x 750 x 757	M_N_-GS3060S	1,271	1,524
48 x 30 x 29 ³ / ₈	1200 x 750 x 757	M_N_-GS3048S	1,208	1,448
36 x 30 x 29 ³ / ₈	900 x 750 x 757	M_N_-GS3036S	1,155	1,379
Specify the surface type (5, 6). Specify the edge (N, 1, 2). Specify the accent color (A, S). Specify leg panel choice at the end of the code (A, B, C).				

AVAILABLE LEG OPTIONS



(A) 2 full-width legs



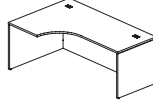
(B) 1 full, 1 recessed

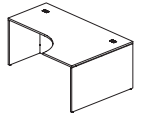


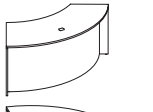
(C) 1 recessed, 1 full

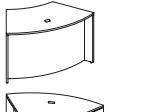


(D) 2 recessed legs

W x D x H (in)	W x D x H (mm)	Code	All Laminate (\$)	HPL Surfaces (\$)
Right extended corner desks				
				
<i>Recessed, full-height modesty panel. Extended work surface can accommodate a 24" D (600 mm) return unit on left, and 1 or 2 pedestals underneath. 2 grommets.</i>				
96 x 48 x 29 ³ / ₈	2400 x 1200 x 744	M_NN_-GC4896	2,047	2,448
84 x 48 x 29 ³ / ₈	2100 x 1200 x 744	M_NN_-GC4884	1,951	2,339
72 x 48 x 29 ³ / ₈	1800 x 1200 x 744	M_NN_-GC4872	1,867	2,233
Specify the surface type (1, 2). Edge N. Specify the accent color (A, S). Specify leg panel choice at the end of the code (A, B).				
96 x 48 x 29 ³ / ₈	2400 x 1200 x 757	M_N_-GC4896	2,239	2,697
84 x 48 x 29 ³ / ₈	2100 x 1200 x 757	M_N_-GC4884	2,155	2,573
72 x 48 x 29 ³ / ₈	1800 x 1200 x 757	M_N_-GC4872	2,053	2,467
Specify the surface type (5, 6). Specify the edge (N, 1, 2). Specify the accent color (A, S). Specify leg panel choice at the end of the code (A, B).				
96" to 84": Packaged in 2 boxes.				
Aluminum kickplate option: specify S at the accent option, M before leg choice and add \$233. Ex.: M__NS-GC9648MA.				

W x D x H (in)	W x D x H (mm)	Code	All Laminate (\$)	HPL Surfaces (\$)
Left extended corner desks				
				
<i>Recessed, full-height modesty panel. Extended work surface can accommodate a 24" D (600 mm) return unit on right, and 1 or 2 pedestals underneath. Pedestal sold separately. 2 grommets.</i>				
96 x 48 x 29 ³ / ₈	2400 x 1200 x 744	M_NN_-GC9648	2,047	2,448
84 x 48 x 29 ³ / ₈	2100 x 1200 x 744	M_NN_-GC8448	1,951	2,339
72 x 48 x 29 ³ / ₈	1800 x 1200 x 744	M_NN_-GC7248	1,867	2,233
Specify the surface type (1, 2). Edge N. Specify the accent color (A, S). Specify leg panel choice at the end of the code (A, B).				
96 x 48 x 29 ³ / ₈	2400 x 1200 x 757	M_N_-GC9648	2,239	2,697
84 x 48 x 29 ³ / ₈	2100 x 1200 x 757	M_N_-GC8448	2,155	2,573
72 x 48 x 29 ³ / ₈	1800 x 1200 x 757	M_N_-GC7248	2,053	2,467
Specify the surface type (5, 6). Specify the edge (N, 1, 2). Specify the accent color (A, S). Specify leg panel choice at the end of the code (A, B).				
96" to 84": Packaged in 2 boxes.				
Aluminum kickplate option: specify S at the accent option, M before leg choice and add \$233. Ex.: M__NS-GC9648MA.				

W x D x H (in)	W x D x H (mm)	Code	All Laminate (\$)	HPL Surfaces (\$)
Curved desks, 90°				
				
<i>Recessed, full-height curved modesty panel. 30" (750 mm) deep. Can accommodate 1 hanging pedestal MNN__-F or a modular 18" deep pedestal. 1 grommet.</i>				
54 x 54 x 29 ³ / ₈	1350 x 1350 x 744	M_NN_-GRD90	4,083	4,899
Specify the surface type (1, 2). Edge N. Specify the accent color (A, S). Specify leg panel choice at the end of the code (A, B, C).				
54 x 54 x 29 ³ / ₈	1350 x 1350 x 757	M_N_-GRD90	4,487	5,377
Specify the surface type (5, 6). Specify the edge (N, 1, 2). Specify the accent color (A, S). Specify leg panel choice at the end of the code (A, B, C).				

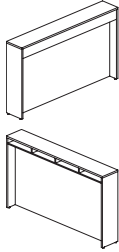
W x D x H (in)	W x D x H (mm)	Code	All Laminate (\$)	HPL Surfaces (\$)
Curved desks, 60°				
				
<i>Recessed, full-height curved modesty panel. 30" (750 mm) deep. Can accommodate 1 hanging pedestal MNN__-F or a modular 18" deep pedestal. Pedestal sold separately. 1 grommet.</i>				
42 x 47 x 29 ³ / ₈	1049 x 1168 x 744	M_NN_-GRD60	3,728	4,472
Specify the surface type (1, 2). Edge N. Specify the accent color (A, S). Specify leg panel choice at the end of the code (A, B, C).				
42 x 47 x 29 ³ / ₈	1049 x 1168 x 757	M_N_-GRD60	4,083	4,899
Specify the surface type (5, 6). Specify the edge (N, 1, 2). Specify the accent color (A, S). Specify leg panel choice at the end of the code (A, B, C).				



W x D x H (in)	W x D x H (mm)	Code	All Laminate (\$)	HPL Surfaces (\$)
ADA counters				
<i>Clearance of 30" (764 mm) under the countertop. Kneespace of 18 7/8" (480 mm). Half-height modesty panel.</i>				
36 x 35 x 31	900 x 883 x 777	M_NNN-G303632	923	1,116
36 x 29 x 31	900 x 733 x 777	M_NNN-G243632	877	1,054
Specify the surface type (1, 2). Edge N.				
36 x 35 x 32	900 x 883 x 802	M__NN-G303632	1,013	1,215
36 x 29 x 32	900 x 733 x 802	M__NN-G243632	969	1,164
Specify the surface type (5, 6). Specify the edge (N, 1, 2).				

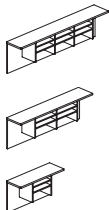


W x D x H (in)	W x D x H (mm)	Code	All Laminate (\$)	HPL Surfaces (\$)
Modular countertops, 43" H				
<i>Recessed, full-height modesty panel. 4 pigeonholes. 1 wiring access allowing the passage of electrical cables for a lighting unit on the front of the modesty panel. Lighting sold separately (LGC-LED__). Can be used on all standard 72" (1800 mm) Lacasse desk. Can not be used with a table with metal legs.</i>				
73 x 12 x 42 3/4	1857 x 300 x 1087	M_NNN-MC7343	1,692	2,030
Specify the surface type (1, 2). Edge N.				
74 x 12 x 43 5/16	1880 x 300 x 1100	M__NN-MC7443	1,867	2,233
Specify the surface type (5, 6). Specify the edge (N, 1, 2).				



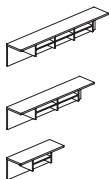
Aluminum kickplate option: change M__N to: M__M, add \$233.

W x D x H (in)	W x D x H (mm)	Code	All Laminate (\$)	HPL Surfaces (\$)
Modular countertops / shelves, 14" H				
<i>Removable shelves. 1 tone only.</i>				
72 x 12 x 13 1/2	1800 x 300 x 344	M_NNN-MC7214DV	1,471	1,767
66 x 12 x 13 1/2	1650 x 300 x 344	M_NNN-MC6614DV	1,396	1,682
60 x 12 x 13 1/2	1500 x 300 x 344	M_NNN-MC6014DV	1,331	1,596
54 x 12 x 13 1/2	1350 x 300 x 344	M_NNN-MC5414DV	1,271	1,524
48 x 12 x 13 1/2	1200 x 300 x 344	M_NNN-MC4814DV	1,208	1,448
42 x 12 x 13 1/2	1050 x 300 x 344	M_NNN-MC4214DV	1,147	1,371
36 x 12 x 13 1/2	900 x 300 x 344	M_NNN-MC3614DV	1,084	1,318
1" (25 mm) surfaces: Clearance of 12 1/2" (318 mm) under the countertop.				
Specify the surface type (1, 2). Edge N.				



72": 6 pigeonholes.
66" to 60": 4 pigeonholes.
54" to 36": 2 pigeonholes.

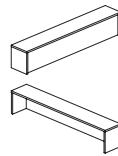
W x D x H (in)	W x D x H (mm)	Code	All Laminate (\$)	HPL Surfaces (\$)
Modular countertops / shelves, 8" H				
<i>Removable shelves. 1 tone only.</i>				
72 x 12 x 8 1/2	1800 x 300 x 214	M_NNN-MC7208DV	1,178	1,425
66 x 12 x 8 1/2	1650 x 300 x 214	M_NNN-MC6608DV	1,124	1,341
60 x 12 x 8 1/2	1500 x 300 x 214	M_NNN-MC6008DV	1,060	1,278
54 x 12 x 8 1/2	1350 x 300 x 214	M_NNN-MC5408DV	1,013	1,215
48 x 12 x 8 1/2	1200 x 300 x 214	M_NNN-MC4808DV	969	1,164
42 x 12 x 8 1/2	1050 x 300 x 214	M_NNN-MC4208DV	914	1,094
36 x 12 x 8 1/2	900 x 300 x 214	M_NNN-MC3608DV	867	1,046
1" (25 mm) surfaces: Clearance of 7 3/8" (188 mm) under the countertop.				
Specify the surface type (1, 2). Edge N.				



72": 3 pigeonholes.
66" to 60": 2 pigeonholes.
54" to 36": 1 pigeonhole.

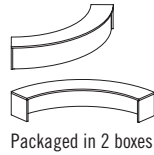
W x D x H (in)	W x D x H (mm)	Code	All Laminate (\$)	HPL Surfaces (\$)
Modular countertops / shelves, 8" H (con't)				
72 x 12 x 8 1/2	1800 x 300 x 214	M__NN-MC7208DV	1,293	1,559
66 x 12 x 8 1/2	1650 x 300 x 214	M__NN-MC6608DV	1,233	1,479
60 x 12 x 8 1/2	1500 x 300 x 214	M__NN-MC6008DV	1,172	1,396
54 x 12 x 8 1/2	1350 x 300 x 214	M__NN-MC5408DV	1,116	1,331
48 x 12 x 8 1/2	1200 x 300 x 214	M__NN-MC4808DV	1,060	1,278
42 x 12 x 8 1/2	1050 x 300 x 214	M__NN-MC4208DV	1,007	1,208
36 x 12 x 8 1/2	900 x 300 x 214	M__NN-MC3608DV	955	1,155
1 1/2" (38 mm) surfaces: Clearance of 6 7/8" (176 mm) under the countertop.				
Specify the surface type (5, 6). Specify the edge (N, 1, 2).				

W x D x H (in)	W x D x H (mm)	Code	All Laminate (\$)	HPL Surfaces (\$)
Modular countertops, 14" H				
<i>Countertops for rectangular desks. Can accommodate a tackboard, refer to page 117.</i>				
72 x 12 x 13 1/2	1800 x 300 x 344	M_NNN-MC7214	596	713
60 x 12 x 13 1/2	1500 x 300 x 344	M_NNN-MC6014	567	690
48 x 12 x 13 1/2	1200 x 300 x 344	M_NNN-MC4814	541	643
36 x 12 x 13 1/2	900 x 300 x 344	M_NNN-MC3614	512	620
1" (25 mm) surfaces: Clearance of 12 1/2" (318 mm) under the countertop.				
Specify the surface type (1, 2). Edge N.				

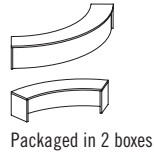


W x D x H (in)	W x D x H (mm)	Code	All Laminate (\$)	HPL Surfaces (\$)
72 x 12 x 13 1/2	1800 x 300 x 344	M__NN-MC7214	651	791
60 x 12 x 13 1/2	1500 x 300 x 344	M__NN-MC6014	620	743
48 x 12 x 13 1/2	1200 x 300 x 344	M__NN-MC4814	596	713
36 x 12 x 13 1/2	900 x 300 x 344	M__NN-MC3614	567	690
1 1/2" (38 mm) surfaces: Clearance of 12" (306 mm) under the countertop.				
Specify the surface type (5, 6). Specify the edge (N, 1, 2).				

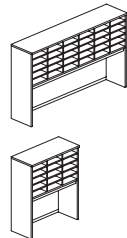
W x D x H (in)	W x D x H (mm)	Code	All Laminate (\$)	HPL Surfaces (\$)
Curved modular countertops, 90°				
<i>For 90° curved desks.</i>				
54 x 54 x 13 1/2	1350 x 1350 x 344	M_NNN-MCRD90	2,899	3,462
1" (25 mm) surfaces: Clearance of 12 1/2" (318 mm) under the countertop.				
Specify the surface type (1, 2). Edge N.				
54 x 54 x 13 1/2	1350 x 1350 x 344	M__NN-MCRD90	3,215	3,850
Surfaces 1 1/2" (38 mm): Clearance of 12" (306 mm) under the countertop.				
Specify the surface type (5, 6). Specify the edge (N, 1, 2).				



W x D x H (in)	W x D x H (mm)	Code	All Laminate (\$)	HPL Surfaces (\$)
Curved modular countertops, 60°				
<i>For 60° curved desks.</i>				
42 x 47 x 13 1/2	1049 x 1168 x 344	M_NNN-MCRD60	2,759	3,308
1" (25 mm) surfaces: Clearance of 12 1/2" (318 mm) under the countertop.				
Specify the surface type (1, 2). Edge N.				
42 x 47 x 13 1/2	1049 x 1168 x 344	M__NN-MCRD60	3,062	3,673
1 1/2" (38 mm) surfaces: Clearance of 12" (306 mm) under the countertop.				
Specify the surface type (5, 6). Specify the edge (N, 1, 2).				



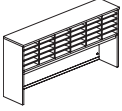
W x D x H (in)	W x D x H (mm)	Code	All Laminate (\$)	HPL Surfaces (\$)
Hutches with pigeonholes, 44" H				
<i>Clearance: 20 1/2". Removable shelves. Grommet. Full-width wire access. Can accommodate a tackboard, refer to page 117.</i>				
72 x 16 x 44	1800 x 400 x 1099	M1NN_EDV7244	2,720	-
36 x 16 x 44	900 x 400 x 1099	M1NN_EDV3644	2,047	-
Edge N. Specify the accent color (A, S). To be used with 1" surfaces.				
72 x 16 x 44	1800 x 400 x 1099	M5_N_EDV7244	2,998	-
36 x 16 x 44	900 x 400 x 1099	M5_N_EDV3644	2,254	-
Specify the edge (N, 1, 2). Specify the accent color (A, S). To be used with 1 1/2" surfaces.				



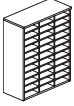
72": 30 pigeonholes.
36": 15 pigeonholes.



	W x D x H (in)	W x D x H (mm)	Code	All Laminate (\$)	HPL Surfaces (\$)
Hutches with pigeonholes, 36" H	<i>Clearance 17" (432 mm). Removable shelves. Grommet. Full-width wire access. Can accommodate a tackboard, refer to page 117.</i>				
	72 x 16 x 36	1800 x 400 x 900	M1NN_-EDV7236	2,549	–
	36 x 16 x 36	900 x 400 x 900	M1NN_-EDV3636	1,875	–
	Edge N. Specify the accent color (A, S). To be used with 1" surfaces.				
	72 x 16 x 36	1800 x 400 x 900	M5_N_-EDV7236	2,830	–
	36 x 16 x 36	900 x 400 x 900	M5_N_-EDV3636	2,084	–
	Specify the edge (N, 1, 2). Specify the accent color (A, S). To be used with 1½" surfaces.				



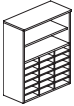
Vertical pigeonholes, 44" H	<i>33 pigeonholes with removable shelves.</i>				
	36 x 16 x 44	900 x 400 x 1099	M1NNN-DV3644	2,366	–
	Edge N. To be used with 1" surfaces.				
	36 x 16 x 44	900 x 400 x 1099	M5_NN-DV3644	2,602	–
	Specify the edge (N, 1, 2). To be used with 1½" surfaces.				



Vertical pigeonholes, 36" H	<i>24 pigeonholes with removable shelves.</i>				
	36 x 16 x 36	900 x 400 x 900	M1NNN-DV3636	2,233	–
	Edge N. To be used with 1" surfaces.				
	36 x 16 x 36	900 x 400 x 900	M5_NN-DV3636	2,478	–
	Specify the edge (N, 1, 2). To be used with 1½" surfaces.				



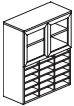
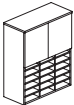
Open bookcase hutches with pigeonholes, 44" H	<i>1 adjustable shelf. 18 pigeonholes with removable shelves.</i>				
	36 x 16 x 44	900 x 400 x 1099	M1NNN-EBDV3644	2,047	–
	Edge N. To be used with 1" surfaces.				
	36 x 16 x 44	900 x 400 x 1099	M5_NN-EBDV3644	2,239	–
	Specify the edge (N, 1, 2). To be used with 1½" surfaces.				



Open bookcase hutches with pigeonholes, 36" H	<i>12 pigeonholes with removable shelves.</i>				
	36 x 16 x 36	900 x 400 x 900	M1NNN-EBDV3636	1,912	–
	Edge N. To be used with 1" surfaces.				
	36 x 16 x 36	900 x 400 x 900	M5_NN-EBDV3636	2,114	–
	Specify the edge (N, 1, 2). To be used with 1½" surfaces.				



Bookcase hutches with doors and pigeonholes, 44" H	<i>1 adjustable shelf. 18 pigeonholes with removable shelves.</i>				
	36 x 16 x 44	900 x 400 x 1099	M1NNN-EBDV3644P	2,395	–
	Edge N. To be used with 1" surfaces.				
	36 x 16 x 44	900 x 400 x 1099	M5_NN-EBDV3644P	2,634	–
	Specify the edge (N, 1, 2). To be used with 1½" surfaces.				



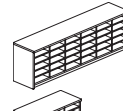
Door insert options, change P Laminate for:
T Translucent, add \$387; X Matrix, add \$696

Bookcase hutches with doors and pigeonholes, 36" H	<i>12 pigeonholes with removable shelves.</i>				
	36 x 16 x 36	900 x 400 x 900	M1NNN-EBDV3636P	2,271	–
	Edge N. To be used with 1" surfaces.				
	36 x 16 x 36	900 x 400 x 900	M5_NN-EBDV3636P	2,513	–
	Specify the edge (N, 1, 2). To be used with 1½" surfaces.				



Door insert options, change P Laminate for:
T Translucent, add \$387; X Matrix, add \$696

	W x D x H (in)	W x D x H (mm)	Code	All Laminate (\$)	HPL Surfaces (\$)
Wall-mounted hutches with pigeonholes	<i>Removable shelves. Can accommodate a tackboard, refer to page 117.</i>				
	72 x 16 x 22½	1800 x 400 x 567	M1NNN-EMDV7222	2,936	–
	36 x 16 x 22½	900 x 400 x 567	M1NNN-EMDV3622	2,395	–
	Edge N.				
	72 x 16 x 22½	1800 x 400 x 567	M5_NN-EMDV7222	3,230	–
	36 x 16 x 22½	900 x 400 x 567	M5_NN-EMDV3622	2,612	–
	Specify the edge (N, 1, 2).				



72": 30 pigeonholes.
36": 15 pigeonholes.

Lateral file units with pigeonholes	<i>1 file drawer with suspension bar. Lock. 9 pigeonholes with removable shelves.</i>				
	36 x 24 x 29⅞	900 x 600 x 757	M_N_-_-2436DVLV	2,125	2,549
	36 x 20 x 29⅞	900 x 500 x 757	M_N_-_-2036DVLV	2,025	2,426
	Specify the surface type (1, 2). Edge N. Specify handle code (A, C, K, W, Z). Specify the accent color (A, S).				



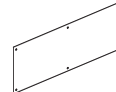
	36 x 24 x 29⅞	900 x 600 x 744	M_-_-_-2436DVLV	2,339	2,813
	36 x 20 x 29⅞	900 x 500 x 744	M_-_-_-2036DVLV	2,225	2,673

Specify the surface type (5, 6). Specify the edge (N, 1, 2). Specify handle code (A, C, K, W, Z). Specify the accent color (A, S).

Modular pedestal with pigeonholes	<i>3 pigeonholes with removable shelves. 1 file drawer with suspension bar. Lock. Must be installed under a work surface. 1 tone only.</i>				
	15 x 18 x 28	388 x 466 x 721	MNN_-_-P1518DVFL	1,178	–
	Specify handle code (A, C, K, W, Z). Specify the accent color (A, S).				

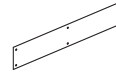


Front screens, 27" H	<i>Translucent acrylic screen with silver metal supports. For 43" H reception desks.</i>				
	81 x ¼ x 27⅝	2047 x 6 x 694	MNNNN-SC8127T	1,102	–
	69 x ¼ x 27⅝	1747 x 6 x 694	MNNNN-SC6927T	1,001	–
	57 x ¼ x 27⅝	1447 x 6 x 694	MNNNN-SC5727T	837	–



Screen option, change
T Translucent to: X Matrix, add \$465.

Front screens, 14" H	<i>Translucent acrylic screen with silver metal supports. For 29" H reception desks.</i>				
	81 x ¼ x 13 ¾	2047 x 6 x 350	MNNNN-SC8114T	567	–
	69 x ¼ x 13 ¾	1747 x 6 x 350	MNNNN-SC6914T	524	–
	57 x ¼ x 13 ¾	1447 x 6 x 350	MNNNN-SC5714T	440	–



Screen option, change
T Translucent to: X Matrix, add \$311.

Tackboard	<i>Mounts to 43" H reception desks. The price shown is applicable for United Chair® Grade 1 fabrics. For other grades add: Grade 2: 10%, Grade 3: 15%, Grade 4: 20%, Grade 5: 25%. Specify the fabric code after the product code.</i>				
	48 x ½ x 8 ¼	1200 x 13 x 210	MNNNN-TK4809	582	–
	Specify the fabric code after the product code.				



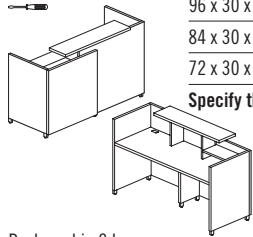
All United Chair® standard fabrics (except vinyls and leathers) are available.



CODIFICATION

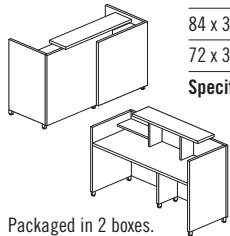
Series	Options	
	Thickness	Accent color
Q	5 Thermofused laminate 1½" top	A Anthracite Grey
	6 High-pressure laminate 1½" top	S Silver
	N N/A	N N/A

	W x D x H (in)	W x D x H (mm)	Code	All Laminate (\$)	HPL Surfaces (\$)
Left reception desks with transaction shelf, 43" H	<i>Full-height modesty panel with 1½" thick juxtaposed panel and 1" thick straight panel. 2 grommets. Clearance of 12¼" (311 mm) under the transaction shelf. Can accommodate 1 QNN_-P1518UFL or QNN_-P1518FFL modular pedestal.</i>				
	96 x 30 x 43½/16	2400 x 750 x 1100	Q_N_-GS3096S	3,276	3,943
	84 x 30 x 43½/16	2100 x 750 x 1100	Q_N_-GS3084S	3,123	3,744
	72 x 30 x 43½/16	1800 x 750 x 1100	Q_N_-GS3072S	2,962	3,555



Packaged in 2 boxes.

	W x D x H (in)	W x D x H (mm)	Code	All Laminate (\$)	HPL Surfaces (\$)
Right reception desks with transaction shelf, 43" H	<i>Full-height modesty panel with 1½" thick juxtaposed panel and 1" thick straight panel. 2 grommets. Clearance of 12¼" (311 mm) under the transaction shelf. Can accommodate 1 QNN_-P1518UFL or QNN_-P1518FFL modular pedestal.</i>				
	96 x 30 x 43½/16	2400 x 750 x 1100	Q_N_-S3096GS	3,276	3,943
	84 x 30 x 43½/16	2100 x 750 x 1100	Q_N_-S3084GS	3,123	3,744
	72 x 30 x 43½/16	1800 x 750 x 1100	Q_N_-S3072GS	2,962	3,555

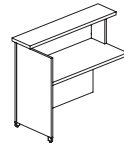


Packaged in 2 boxes.

	W x D x H (in)	W x D x H (mm)	Code	All Laminate (\$)	HPL Surfaces (\$)
Front screens, 32" H	<i>Translucent acrylic screen with silver metal supports. For 43" H reception desks.</i>				
	40 x ¼ x 31½/2	1000 x 6 x 800	QNNN-SC4032T	709	–
	34 x ¼ x 31½/2	850 x 6 x 800	QNNN-SC3432T	593	–
	28 x ¼ x 31½/2	700 x 6 x 800	QNNN-SC2832T	474	–

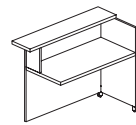


	W x D x H (in)	W x D x H (mm)	Code	All Laminate (\$)	HPL Surfaces (\$)
Return-shells with transaction shelf – left	<i>Full-height modesty panel. Clearance of 12¼" (311 mm) under the transaction shelf. Can accommodate a pedestal.</i>				
	48 x 24 x 43½/16	1200 x 600 x 1100	Q_N_-GS244843R	1,512	1,810
	42 x 24 x 43½/16	1050 x 600 x 1100	Q_N_-GS244243R	1,433	1,717



Specify the surface type (5, 6). Specify the accent color (A, S).

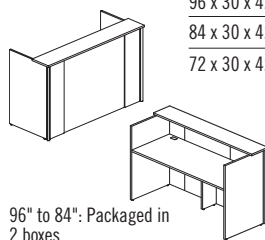
	W x D x H (in)	W x D x H (mm)	Code	All Laminate (\$)	HPL Surfaces (\$)
Return-shells with transaction shelf – right	<i>Full-height modesty panel. Clearance of 12¼" (311 mm) under the transaction shelf. Can accommodate a pedestal.</i>				
	48 x 24 x 43½/16	1200 x 600 x 1100	Q_N_-GR244843S	1,512	1,810
	42 x 24 x 43½/16	1050 x 600 x 1100	Q_N_-GR244243S	1,433	1,717



Specify the surface type (5, 6). Specify the accent color (A, S).

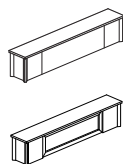


	W x D x H (in)	W x D x H (mm)	Code	All Laminate (\$)	HPL Surfaces (\$)
Reception desks with transaction shelf, 43" H	<i>Full-height modesty panel. 2 grommets. Clearance of 12½" (318 mm) under the transaction shelf. Can accommodate 1 C3-UF18, C3-UF24 or C3-FF24 pedestal.</i>				
	96 x 30 x 42½/2	2400 x 750 x 1079	C3-GS3096S	2,549	–
	84 x 30 x 42½/2	2100 x 750 x 1079	C3-GS3084S	2,426	–
	72 x 30 x 42½/2	1800 x 750 x 1079	C3-GS3072S	2,309	–



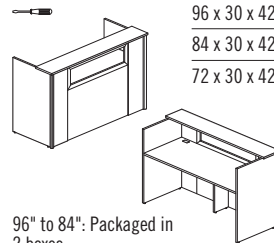
96" to 84": Packaged in 2 boxes.

	W x D x H (in)	W x D x H (mm)	Code	All Laminate (\$)	HPL Surfaces (\$)
Modular countertops, 14" H	<i>Can be used on all standard 72" (1800 mm) Lacasse desks. Clearance of 12½" (318 mm) under the countertop.</i>				
	72 x 12 x 13½/2	1800 x 300 x 344	C3-MC7214	1,524	–
	66 x 12 x 13½/2	1650 x 300 x 344	C3-MC6614	1,448	–



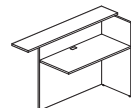
Translucent insert with aluminum frame option, specify at the end of the code: T Translucent, add \$278.

	W x D x H (in)	W x D x H (mm)	Code	All Laminate (\$)	HPL Surfaces (\$)
Translucent front reception desks with transaction shelf, 43" H	<i>Full-height modesty panel includes translucent insert with aluminum frame. 2 grommets. Clearance of 12½" (318 mm) under the transaction shelf. Can accommodate 1 C3-UF18, C3-UF24 or C3-FF24 pedestal.</i>				
	96 x 30 x 42½/2	2400 x 750 x 1079	C3-GS3096ST	2,913	–
	84 x 30 x 42½/2	2100 x 750 x 1079	C3-GS3084ST	2,788	–
	72 x 30 x 42½/2	1800 x 750 x 1079	C3-GS3072ST	2,660	–



96" to 84": Packaged in 2 boxes.

	W x D x H (in)	W x D x H (mm)	Code	All Laminate (\$)	HPL Surfaces (\$)
Return shells	<i>Reversible. 1 grommet. Can accommodate a hanging pedestal C3-UF18.</i>				
	48 x 24 x 42½/2	1200 x 600 x 1079	C3-GR2448S	1,364	–
	42 x 24 x 42½/2	1050 x 600 x 1079	C3-GR2442S	1,293	–



	W x D x H (in)	W x D x H (mm)	Code	All Laminate (\$)	HPL Surfaces (\$)
Hanging combination pedestal	<i>2 box drawers, 1 file drawer with suspension bar. Pencil tray. Lock. Must be installed under a work surface. 1 tone only.</i>				
	15 x 18 x 26	388 x 448 x 628	C3-UF18	1,116	–

